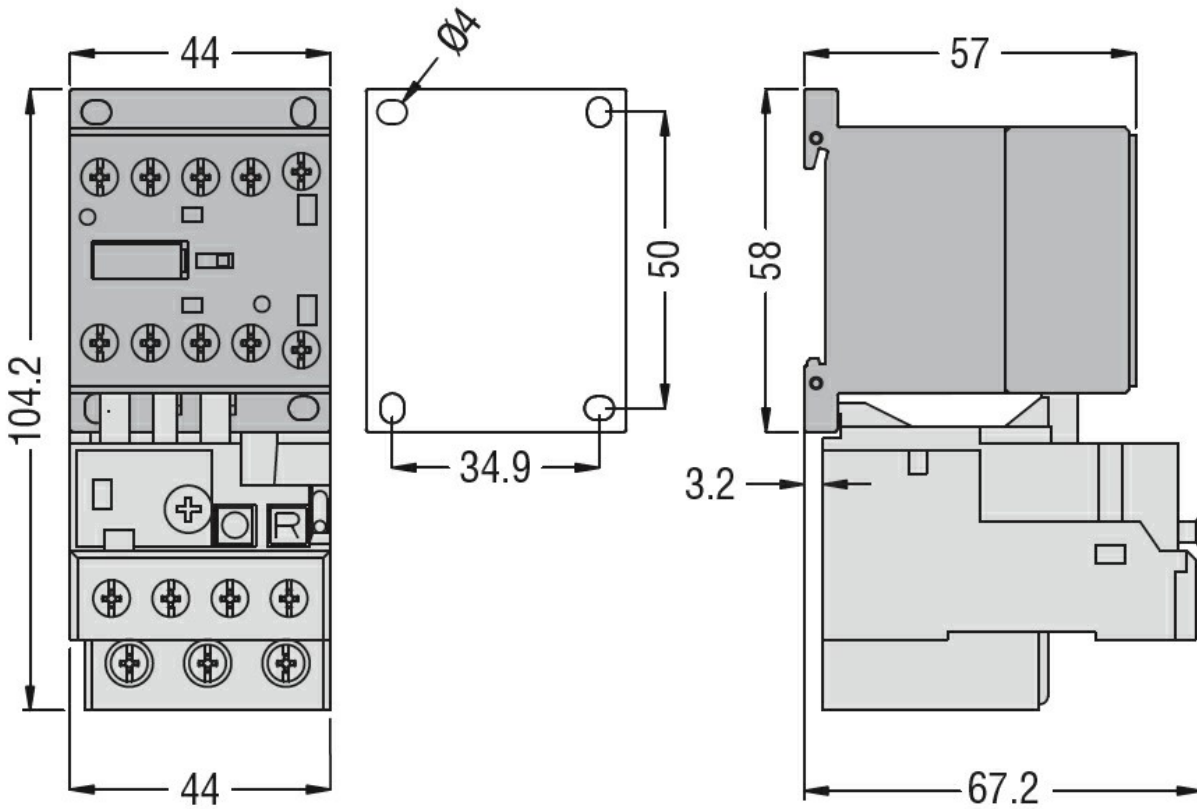


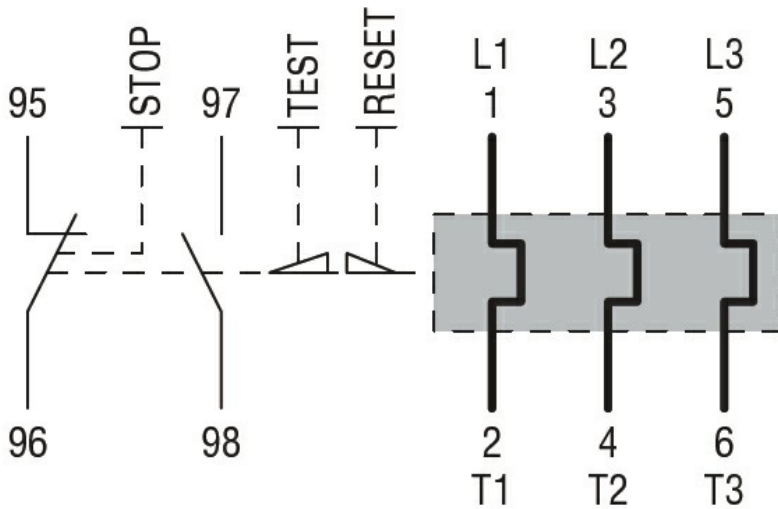


|   |                         |                  |     |
|---|-------------------------|------------------|-----|
| Product designation                       | RF12                    |                  |     |
| Product type designation                  | Motor protection relay  |                  |     |
| <b>General characteristics</b>            |                         |                  |     |
| Number of poles                           | Nr.                     | 3                |     |
| Overvoltage category                      | III                     |                  |     |
| Pollution degree                          | 3                       |                  |     |
| Frontal IP degree                         | IP20                    |                  |     |
| Type of release                           | Thermal                 |                  |     |
| Protection fuse                           |                         |                  |     |
|   | gG (IEC)                | A                | 32  |
|   | aM (IEC)                | A                | 16  |
| Phase failure detection                   | yes                     |                  |     |
| Reset mode                                | Manual or automatic     |                  |     |
| <b>Power circuit characteristics</b>      |                         |                  |     |
| Rated insulation voltage $U_i$ IEC/EN     | V                       | 690              |     |
| Rated impulse withstand voltage $U_{imp}$ | kV                      | 6                |     |
| Rated operational voltage                 | V                       | 690              |     |
| Operational frequency                     |                         |                  |     |
|   | min                     | Hz               | 0   |
|   | max                     | Hz               | 400 |
| Operational current $I_e$                 |                         |                  |     |
|   | Operational current min | A                | 7.2 |
|   | Operational current max | A                | 10  |
| Tripping class                            | 10A                     |                  |     |
| Test Button                               | Yes                     |                  |     |
| Trip indicator                            | Yes                     |                  |     |
| Terminals                                 |                         |                  |     |
|   | type                    | screw and washer |     |
|   | screw                   | M4               |     |
|   | width                   | mm               | 9.8 |
|   | tool                    | Phillips 2       |     |
| Tightening torque for terminals           |                         |                  |     |
|   | min                     | Nm               | 1.4 |
|   | max                     | Nm               | 2.3 |
|   | min                     | lbin             | 1   |
|   | max                     | lbin             | 1.7 |
| Conductor section                         |                         |                  |     |
|   | Flexible w/o lug max    | mm <sup>2</sup>  | 6   |
|   | Flexible c/w lug max    | mm <sup>2</sup>  | 10  |
|   | AWG/kcmil max           | 10               |     |
| Power dissipation per pole                |                         |                  |     |
|   | min                     | W                | 0.7 |

|  |  |                 |  |
|--|--|-----------------|--|
|  | max                                    | W               | 2.6  |
| <b>Auxiliary circuit characteristics</b>           |  |                 |  |
| Auxiliary contacts                                 |  |                 |  |
|  | NO                                     | Nr.             | 1  |
|  | NC                                     | Nr.             | 1  |
| Auxiliary Rated insulation voltage $U_i$ IEC/EN    |  | V               | 690  |
| IEC Conventional free air thermal current $I_{th}$ |  | A               | 5  |
| <b>Terminals</b>                                   |  |                 |  |
|  | Auxiliary circuit type                 |                 | screw and washer                           |
|  | Auxiliary circuit screw                |                 | M3.5                                       |
|  | Auxiliary circuit width                | mm              | 8  |
|  | Auxiliary circuit tool                 |                 | Phillips 2                                 |
| <b>Conductor section</b>                           |  |                 |  |
|  | Auxiliary circuit Flexible w/o lug max | mm <sup>2</sup> | 2.5  |
|  | Auxiliary circuit Flexible c/w lug max | mm <sup>2</sup> | 2.5  |
| <b>Tightening torque for terminals</b>             |  |                 |  |
|  | Auxiliary circuit max                  | Nm              | 1  |
|  | Auxiliary circuit max                  | Ibin            | 0.74                                       |
| UL/CSA and IEC/EN 60947-5-1 designation            |  |                 | A600-Q600                                  |
| <b>Ambient conditions</b>                          |  |                 |  |
| <b>Operating temperature</b>                       |  |                 |  |
|  | min                                    | °C              | -20  |
|  | max                                    | °C              | 55   |
| <b>Storage temperature</b>                         |  |                 |  |
|  | min                                    | °C              | -55  |
|  | max                                    | °C              | 70   |
| <b>Compensation temperature</b>                    |  |                 |  |
|  | min                                    | °C              | -15  |
|  | max                                    | °C              | 55   |
| Max altitude                                       |  | m               | 3000                                       |
| <b>Mechanical features</b>                         |  |                 |  |
| <b>Operating position</b>                          |  |                 |  |
|  | normal allowable                       |                 | Vertical plan ±30°                         |
| Fixing   |  |                 | Direct mounting on BG06... BG09... BG12... |
| Weight   |  | g               | 115  |
| <b>Dimensions</b>                                  |  |                 |  |



Wiring diagrams



Certifications and compliance

Compliance

IEC/EN 60947-1  
IEC/EN 60947-4-1

Certifications

CCC  
cULus

ETIM classification

ETIM 8.0

EC000106 -  
Thermal overload  
relay