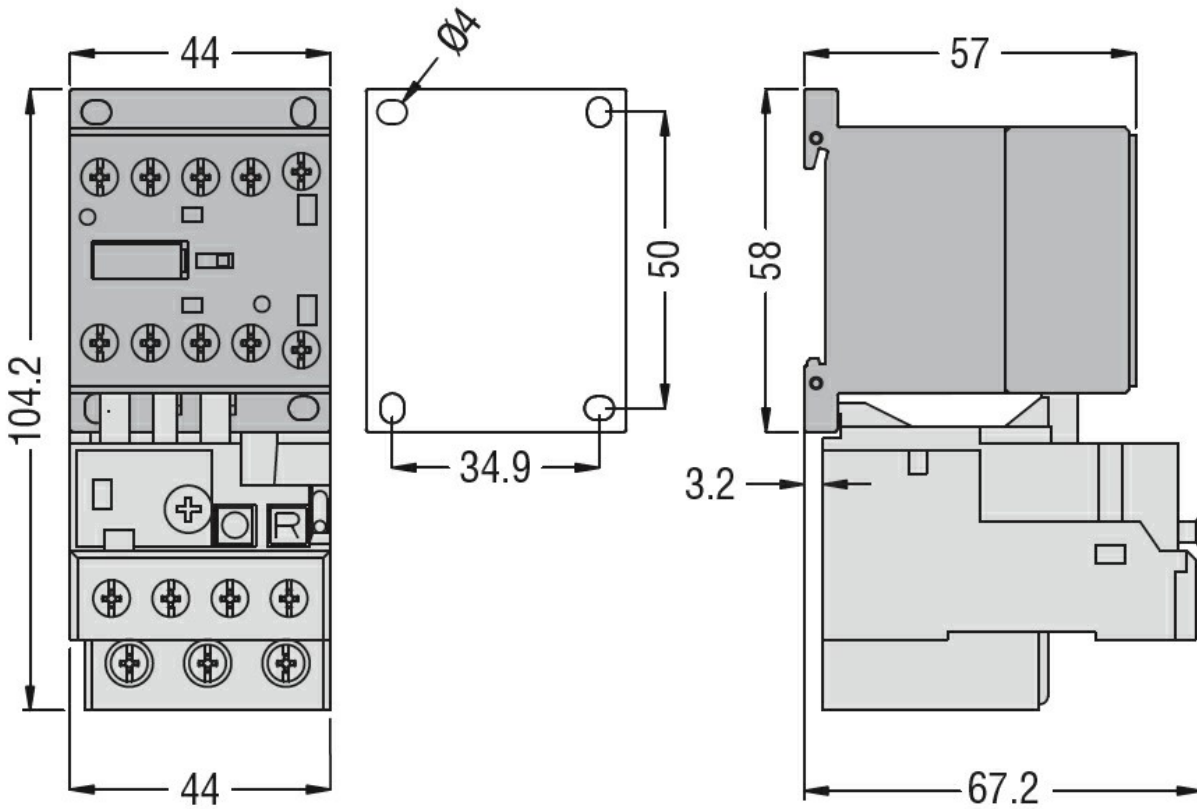


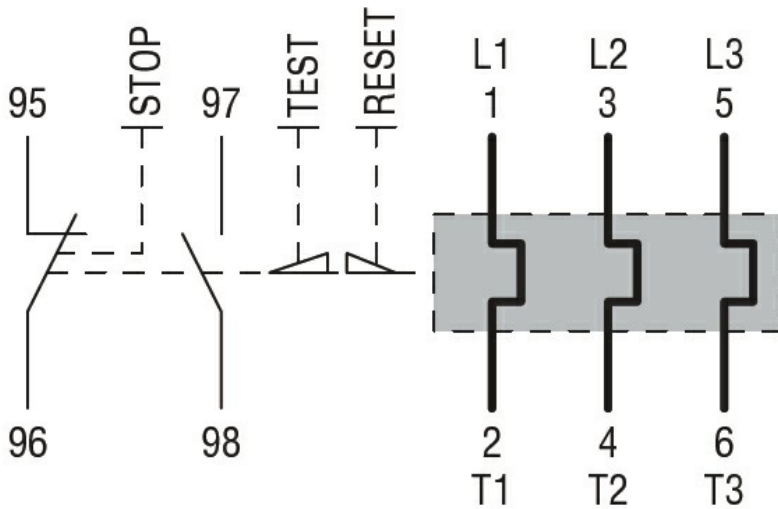


Product designation	RF12		
Product type designation	Motor protection relay		
<b>General characteristics</b>			
Number of poles	Nr.	3	
Overvoltage category	III		
Pollution degree	3		
Frontal IP degree	IP20		
Type of release	Thermal		
Protection fuse			
	gG (IEC)	A	6
	aM (IEC)	A	4
Phase failure detection	yes		
Reset mode	Manual or automatic		
<b>Power circuit characteristics</b>			
Rated insulation voltage $U_i$ IEC/EN	V	690	
Rated impulse withstand voltage $U_{imp}$	kV	6	
Rated operational voltage	V	690	
Operational frequency			
	min	Hz	0
	max	Hz	400
Operational current $I_e$			
	Operational current min	A	1.4
	Operational current max	A	2
Tripping class	10A		
Test Button	Yes		
Trip indicator	Yes		
Terminals			
	type	screw and washer	
	screw	M4	
	width	mm	9.8
	tool	Phillips 2	
Tightening torque for terminals			
	min	Nm	1.4
	max	Nm	2.3
	min	lbin	1
	max	lbin	1.7
Conductor section			
	Flexible w/o lug max	mm <sup>2</sup>	6
	Flexible c/w lug max	mm <sup>2</sup>	10
	AWG/kcmil max	10	
Power dissipation per pole			
	min	W	0.7

	max	W	2.6
<b>Auxiliary circuit characteristics</b>			
Auxiliary contacts			
	NO	Nr.	1
	NC	Nr.	1
Auxiliary Rated insulation voltage $U_i$ IEC/EN		V	690
IEC Conventional free air thermal current I <sub>th</sub>		A	5
<b>Terminals</b>			
	Auxiliary circuit type		screw and washer
	Auxiliary circuit screw		M3.5
	Auxiliary circuit width	mm	8
	Auxiliary circuit tool		Phillips 2
<b>Conductor section</b>			
	Auxiliary circuit Flexible w/o lug max	mm <sup>2</sup>	2.5
	Auxiliary circuit Flexible c/w lug max	mm <sup>2</sup>	2.5
<b>Tightening torque for terminals</b>			
	Auxiliary circuit max	Nm	1
	Auxiliary circuit max	Ibin	0.74
UL/CSA and IEC/EN 60947-5-1 designation			A600-Q600
<b>Ambient conditions</b>			
<b>Operating temperature</b>			
	min	°C	-20
	max	°C	55
<b>Storage temperature</b>			
	min	°C	-55
	max	°C	70
<b>Compensation temperature</b>			
	min	°C	-15
	max	°C	55
Max altitude		m	3000
<b>Mechanical features</b>			
<b>Operating position</b>			
	normal allowable		Vertical plan ±30°
Fixing			Direct mounting on BG06... BG09... BG12...
Weight		g	115
<b>Dimensions</b>			



Wiring diagrams



Certifications and compliance

Compliance

IEC/EN 60947-1  
IEC/EN 60947-4-1

Certifications

CCC  
cULus

ETIM classification

ETIM 8.0

EC000106 -  
Thermal overload  
relay