



Flush mount enclosures IP65 for SM1R (UL type 4X) SM1Z
 Flush mount enclosures IP65 for SM1R (UL type 4X) SM1R...

Product designation

Product type designation

Description

Accessories for

Mechanical features

Weight g 245

Operations

Mechanical life cycles 100000

Ambient conditions

Temperature

Operating temperature

	min	°C	-25
	max	°C	+60

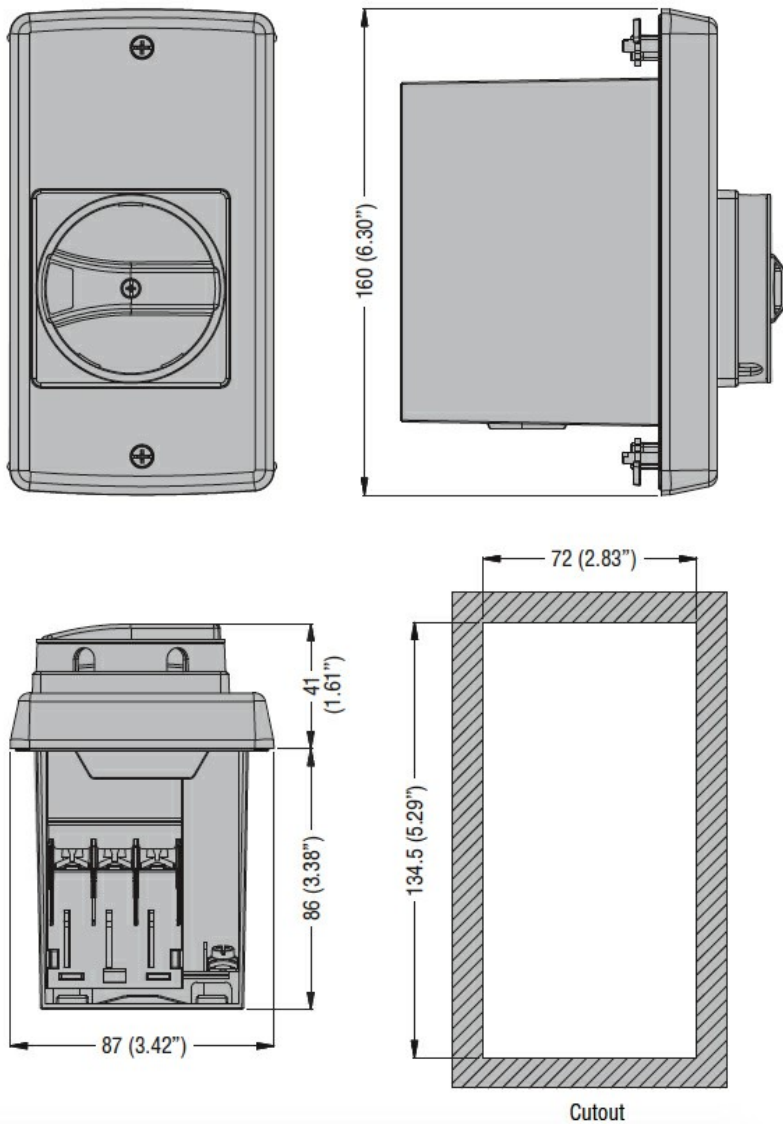
Storage temperature

	min	°C	-50
	max	°C	+80

IEC degree of protection IP65

UL degree of protection 4X

Dimensions



Certifications and compliance

Compliance

CSA C22.2 n° 14

IEC/EN 60947-1

IEC/EN 60947-5-1

UL508

Certificates

cULus

EAC

ETIM classification