



Surface mount enclosures IP65 (4X) for SM1R SM1Z
Surface mount enclosures IP65 (4X) for SM1R SM1R...

Product designation

Product type designation

Description

Accessories for

Mechanical features

Weight g 245

Operations

Mechanical life cycles 100000

Ambient conditions

Temperature

Operating temperature

| | | |
|-----|----|-----|
| min | °C | -25 |
| max | °C | +60 |

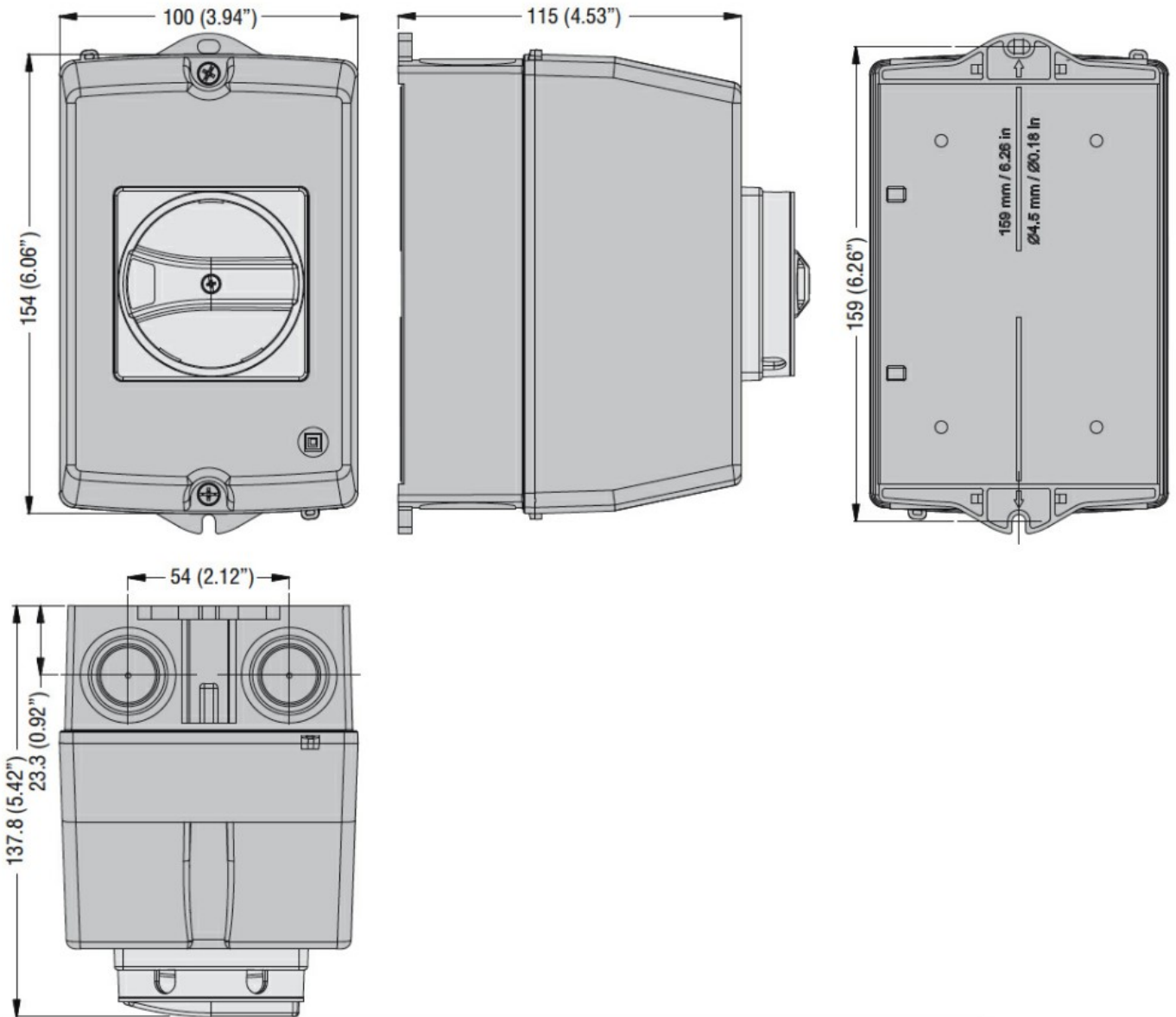
Storage temperature

| | | |
|-----|----|-----|
| min | °C | -50 |
| max | °C | +80 |

IEC degree of protection IP65

UL degree of protection 4X

Dimensions



Certifications and compliance

Compliance

CSA C22.2 n° 14
IEC/EN 60947-1
IEC/EN 60947-5-1
UL508

Certificates

cULus
EAC

ETIM classification