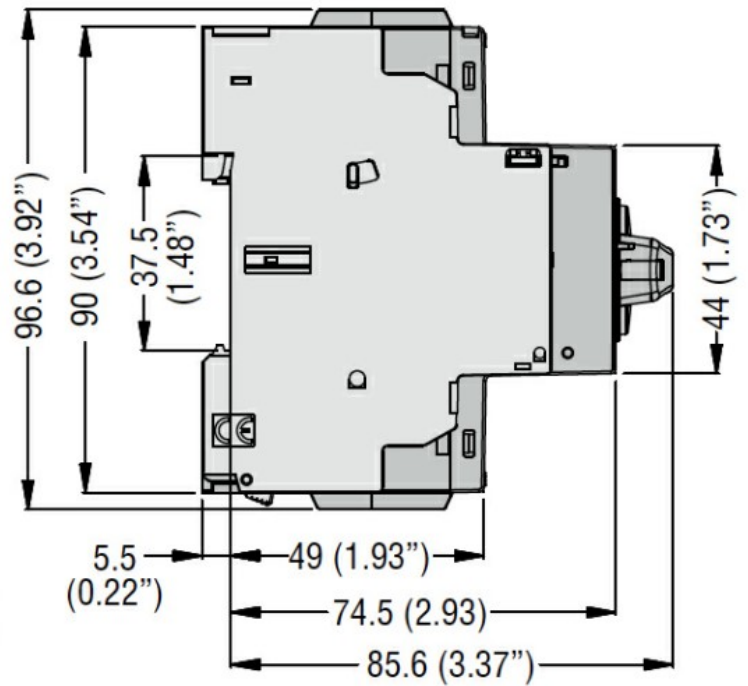
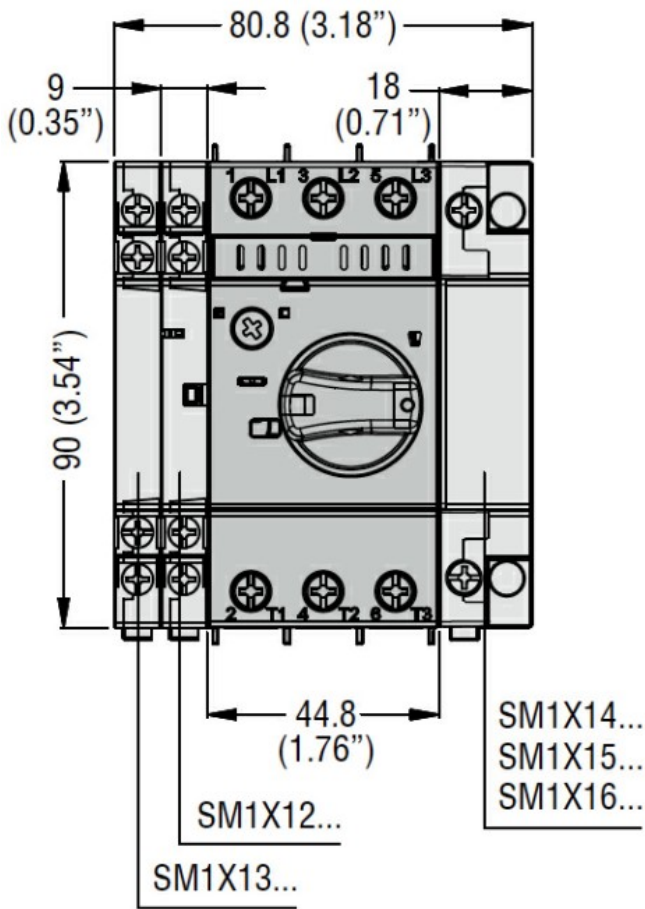


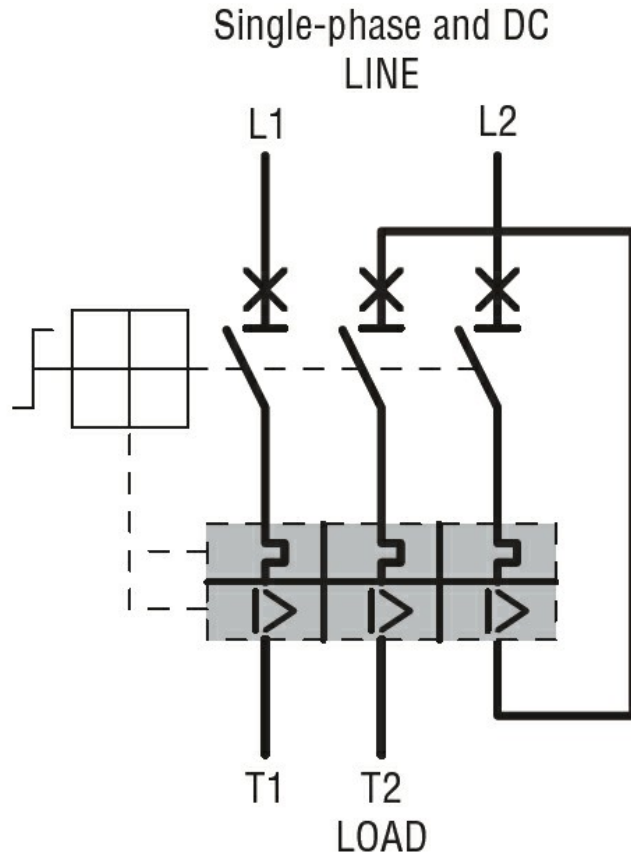
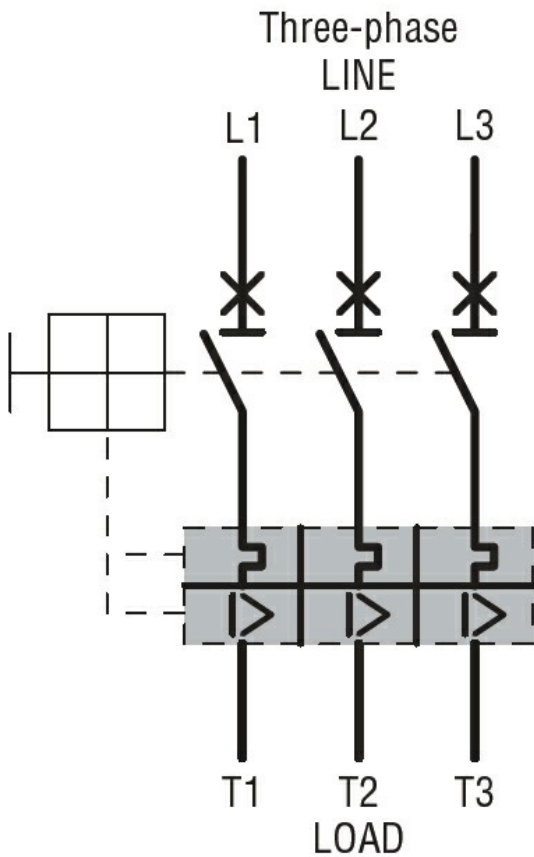


Product designation				Motor protection circuit breaker SM1RT
Product type designation				SM1RT
Electrical features				
Number of poles	Nr.			3
Magnetic protection				yes
Thermal protection				yes
Phase failure detection				yes
Rated insulation voltage U_i IEC/EN	V			690
Rated impulse withstand voltage U_{imp}	kV			6
Rated frequency	Hz			50/60
Thermal trip adjustment range				9...14
Rated current (I_n)	A			14
Magnetic tripping				20 x I_n
Power dissipation per pole	min	W	1.13	
	max	W	2.73	
Operational short-circuit current breaking capacity (I_{cs}) at AC	230V	kA	100	
	400V	kA	100	
	440V	kA	42	
	500V	kA	42	
	690V	kA	2	
Maximum short-circuit current breaking capacity (I_{cu}) at AC	230V	kA	100	
	400V	kA	100	
	440V	kA	42	
	500V	kA	42	
	690V	kA	4	
Tripping class				10A
IEC Utilization category				A
Operations				
Mechanical life	cycles			100000
Electrical life	cycles			100000
Mechanical features				
Tightening torque for terminals	min	Nm	2.5	
	max	Nm	3	
	min	lbin	22	
	max	lbin	26.5	
Max number of wires simultaneously connectable	Nr.			2
Conductor section	AWG/Kcmil			
	min			16
	max			8

Flexible w/o lug conductor section	min	mm ²	1
	max	mm ²	10
Flexible c/w lug conductor section	min	mm ²	1
	max	mm ²	10
Flexible with insulated spade lug conductor section	min	mm ²	1
	max	mm ²	10
Screwdriver			PH2
Power terminal protection according to IEC/EN 60529			IP20 on front
Cable stripping length	main circuit	mm	12
Ambient conditions			
Temperature	Operating temperature	min	°C -20
		max	°C +60
	Storage temperature	min	°C -50
		max	°C +80
	Compensation temperature	min	°C -20
		max	°C +50
Max altitude		m	3000
Operating position	normal allowable		Vertical plan Any
Fixing			Screw / DIN rail 35mm
Weight		g	340
UL technical data			
Motor Disconnect	at 480V protection	kA	30 200A class J
Group Motor Installation	at 480V protection	kA	30 200A class J
Tap Conductor Protection	at 480Y/277V	kA	30
Maximum UL/CSA horsepower ratings single-phase	110V-120V	HP	3/4
	220V-240V	HP	2
Maximum UL/CSA horsepower ratings three-phase, 3-pole	200V-208V	HP	3
	220V-240V	HP	3
	440V-480V	HP	10
Dimensions			



Wiring diagrams



Certifications and compliance

Certifications

CSA C22.2 n° 60947-1

CSA C22.2 n° 60947-4-1

IEC/EN/BS 60947-1

IEC/EN/BS 60947-2

IEC/EN/BS 60947-4-1

UL 60947-4-1

Compliance

cULus

EAC

ETIM classification

ETIM 8.0

EC000074 -
Motor protection
circuit-breaker