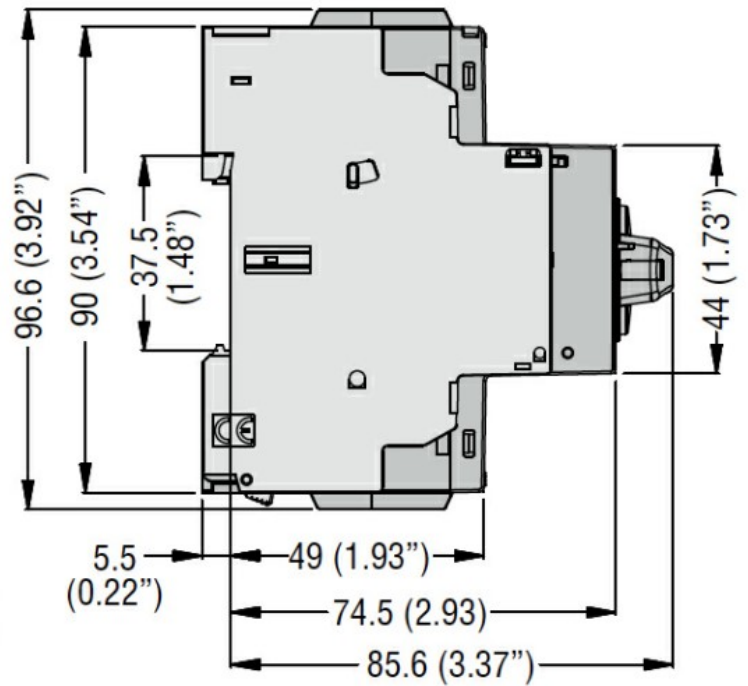
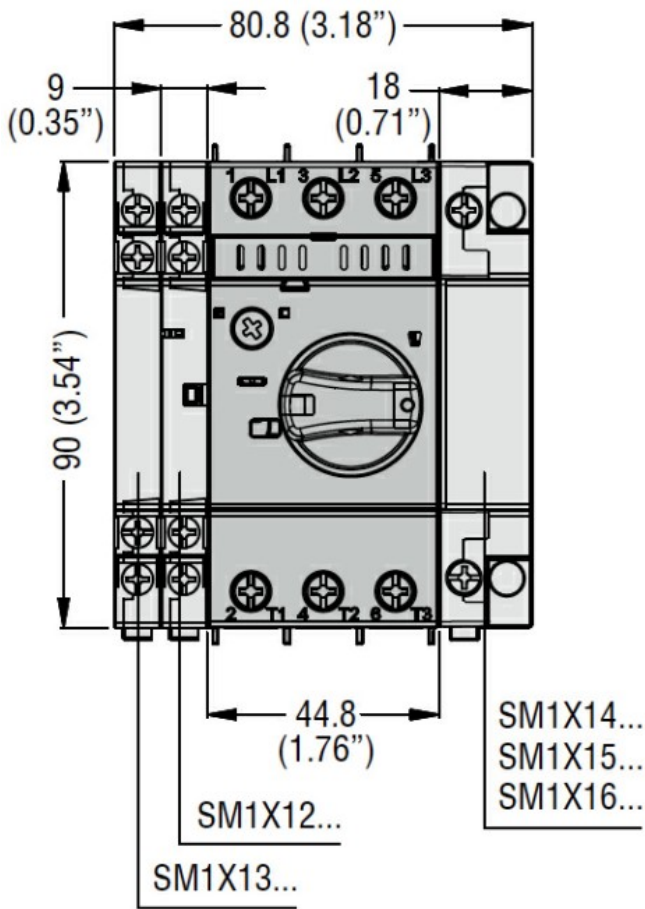


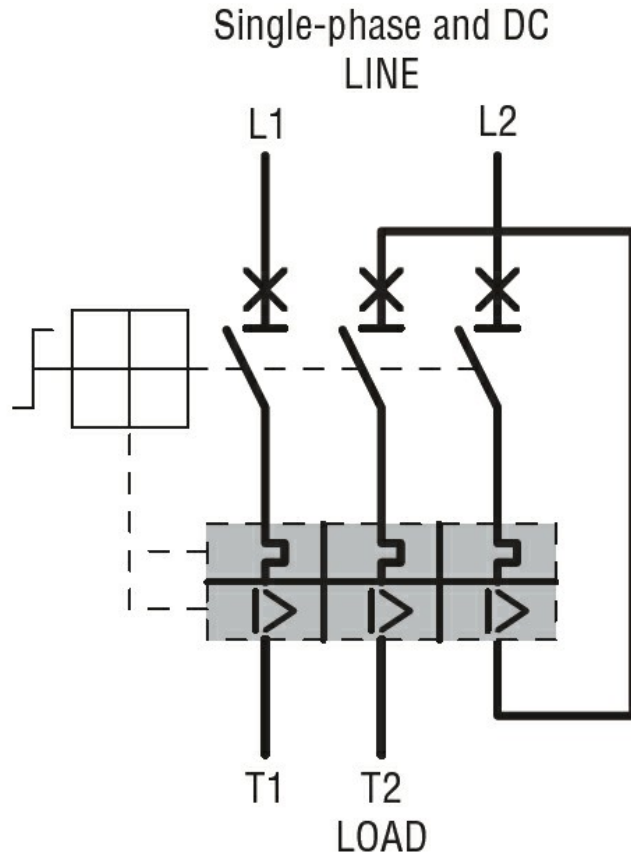
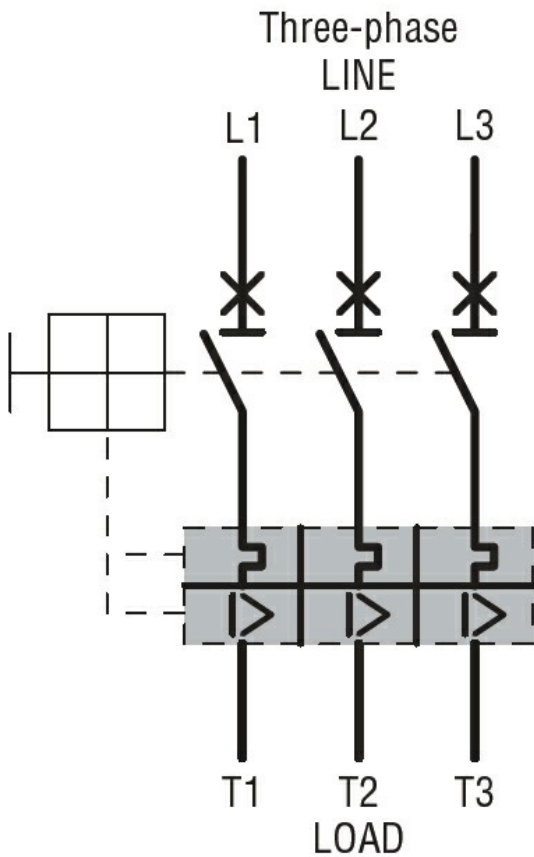


Product designation				Motor protection circuit breaker SM1RM	
Product type designation				SM1RM	
Electrical features					
Magnetic protection				yes	
Thermal protection				no	
Rated insulation voltage U_i IEC/EN	V			690	
Rated impulse withstand voltage U_{imp}	kV			6	
Rated frequency	Hz			50/60	
Rated current (I_n)	A			40	
Magnetic tripping				$13 \times I_n$	
Power dissipation per pole	min	W	3.44		
	max	W	6.12		
Operational short-circuit current breaking capacity (I_{cs}) at AC	230V	kA	100		
	400V	kA	10		
	440V	kA	5		
	500V	kA	5		
	690V	kA	2		
	Maximum short-circuit current breaking capacity (I_{cu}) at AC	230V	kA	100	
400V		kA	20		
440V		kA	10		
500V		kA	10		
690V		kA	4		
IEC Utilization category					A
Operations					
Mechanical life				cycles 100000	
Electrical life				cycles 100000	
Mechanical features					
Tightening torque for terminals	min	Nm	2.5		
	max	Nm	3		
	min	lbin	22		
	max	lbin	26.5		
Conductor section	AWG/Kcmil	min	16		
		max	8		
	Flexible w/o lug conductor section	min	mm ²	1	
		max	mm ²	10	
	Flexible c/w lug conductor section	min	mm ²	1	

		max	mm ²	10
Flexible with insulated spade lug conductor section		min	mm ²	1
		max	mm ²	10
Screwdriver				PH2
Cable stripping length				
	main circuit	mm		12
Ambient conditions				
Temperature				
	Operating temperature			
		min	°C	-20
		max	°C	+60
	Storage temperature			
		min	°C	-50
		max	°C	+80
	Compensation temperature			
		min	°C	-20
		max	°C	+50
Max altitude			m	3000
Operating position		allowable		Any
Fixing				Screw / DIN rail 35mm
Weight			g	390
UL technical data				
Motor Disconnect				
		at 480V	kA	30
		at 600V	kA	30
		protection		200A class J
Group Motor Installation				
		at 480V	kA	30
		at 600V	kA	30
		protection		200A class J
Dimensions				



Wiring diagrams



Certifications and compliance

Certifications

CSA C22.2 n° 60947-4-1

IEC/EN 60947-1

IEC/EN 60947-2

IEC/EN 60947-4-1

UL60947-4-1

Compliance

cULus

EAC

ETIM classification

ETIM 8.0

EC000074 -
Motor protection
circuit-breaker