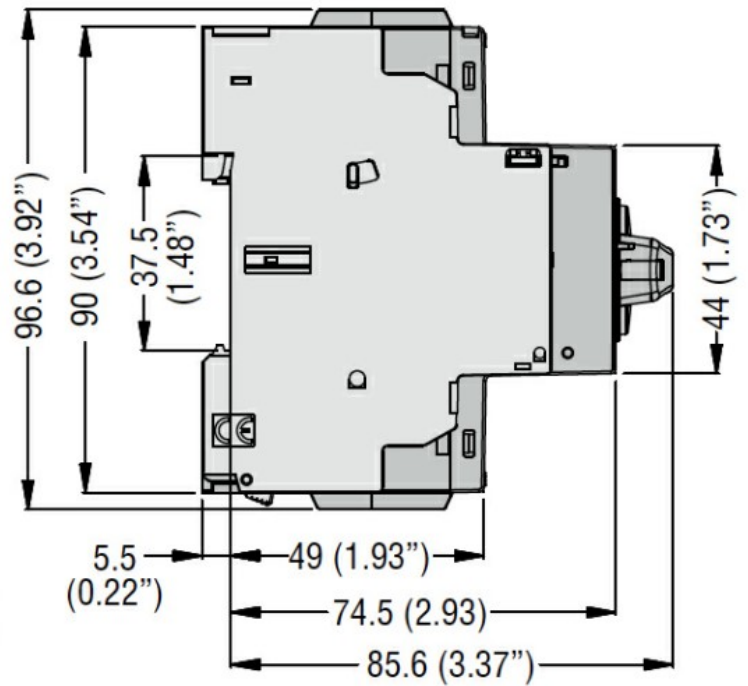
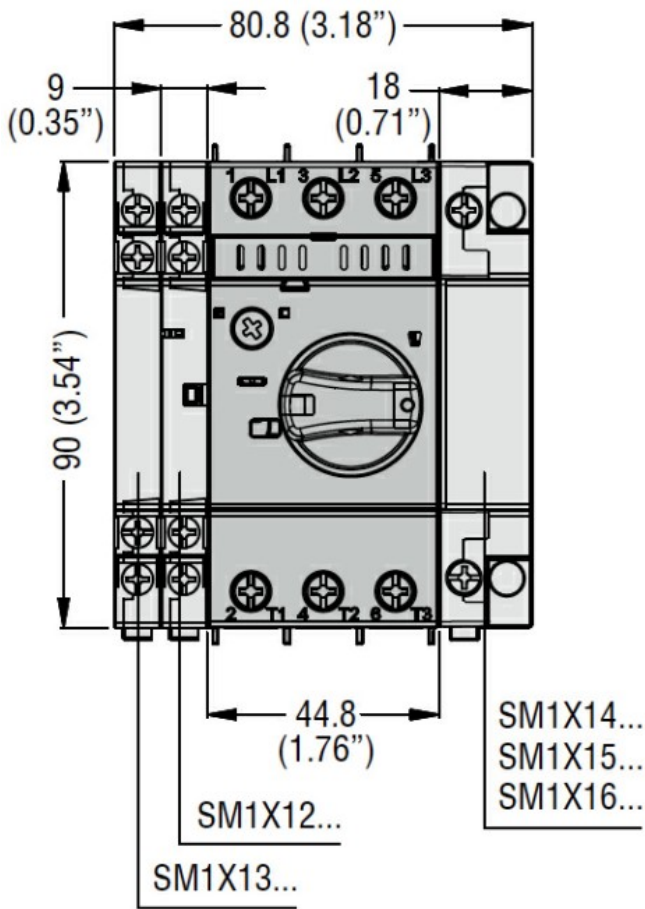


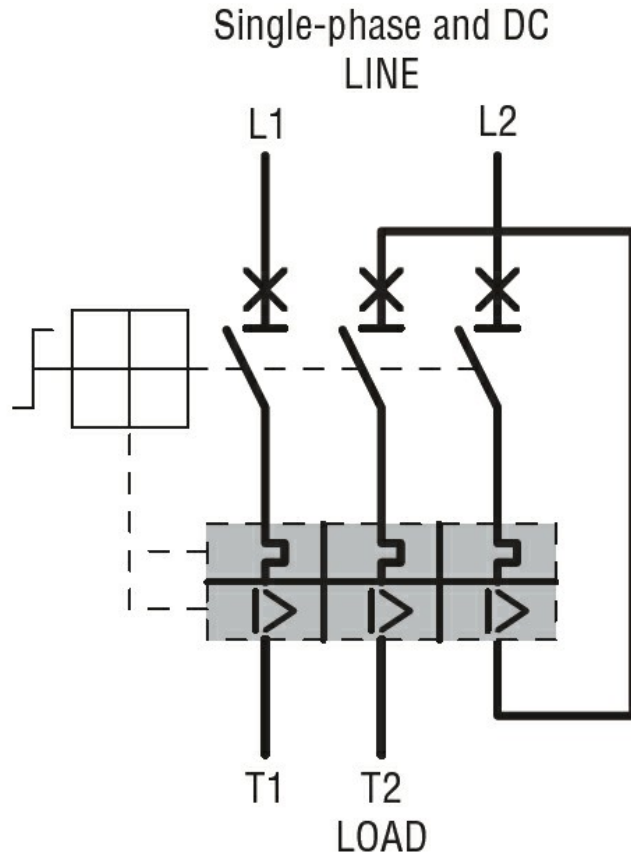
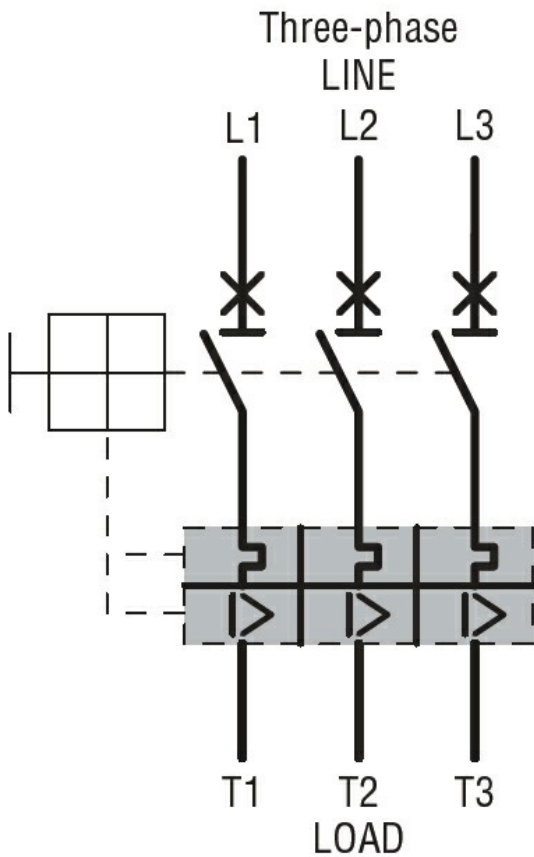


Product designation	Motor protection circuit breaker SM1RM			
Product type designation	SM1RM			
Electrical features				
Magnetic protection	yes			
Thermal protection	no			
Rated insulation voltage U_i IEC/EN	V	690		
Rated impulse withstand voltage U_{imp}	kV	6		
Rated frequency	Hz	50/60		
Rated current (I_n)	A	18		
Magnetic tripping	13 x I_n			
Power dissipation per pole	min	W	1.34	
	max	W	2.57	
Operational short-circuit current breaking capacity (I_{cs}) at AC	230V	kA	100	
	400V	kA	100	
	440V	kA	5	
	500V	kA	5	
	690V	kA	2	
	Maximum short-circuit current breaking capacity (I_{cu}) at AC	230V	kA	100
400V		kA	100	
440V		kA	10	
500V		kA	10	
690V		kA	4	
IEC Utilization category		A		
Operations				
Mechanical life	cycles	100000		
Electrical life	cycles	100000		
Mechanical features				
Tightening torque for terminals	min	Nm	2.5	
	max	Nm	3	
	min	lbin	22	
	max	lbin	26.5	
Conductor section	AWG/Kcmil	min	16	
		max	8	
	Flexible w/o lug conductor section	min	mm ²	1
		max	mm ²	10
	Flexible c/w lug conductor section	min	mm ²	1

		max	mm ²	10
Flexible with insulated spade lug conductor section		min	mm ²	1
		max	mm ²	10
Screwdriver				PH2
Cable stripping length	main circuit	mm		12
Ambient conditions				
Temperature				
Operating temperature				
		min	°C	-20
		max	°C	+60
Storage temperature				
		min	°C	-50
		max	°C	+80
Compensation temperature				
		min	°C	-20
		max	°C	+50
Max altitude			m	3000
Operating position	allowable			Any
Fixing				Screw / DIN rail 35mm
Weight			g	390
UL technical data				
Motor Disconnect				
	at 480V	kA		30
	at 600V	kA		30
	protection			200A class J
Group Motor Installation				
	at 480V	kA		30
	at 600V	kA		30
	protection			200A class J
Tap Conductor Protection				
	at 480Y/277V	kA		65
Dimensions				



Wiring diagrams



Certifications and compliance

Certifications

CSA C22.2 n° 60947-4-1

IEC/EN 60947-1

IEC/EN 60947-2

IEC/EN 60947-4-1

UL60947-4-1

Compliance

cULus

EAC

ETIM classification

ETIM 8.0

EC000074 -
Motor protection
circuit-breaker