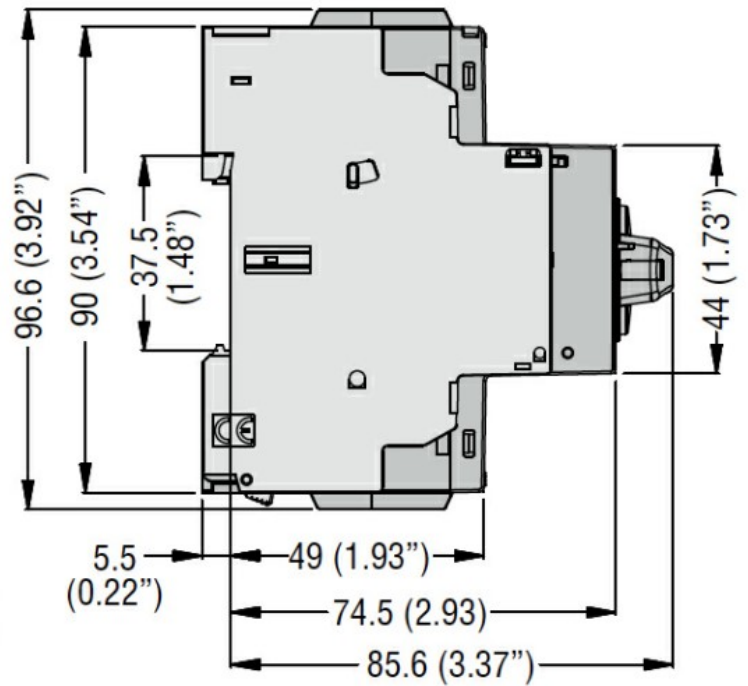
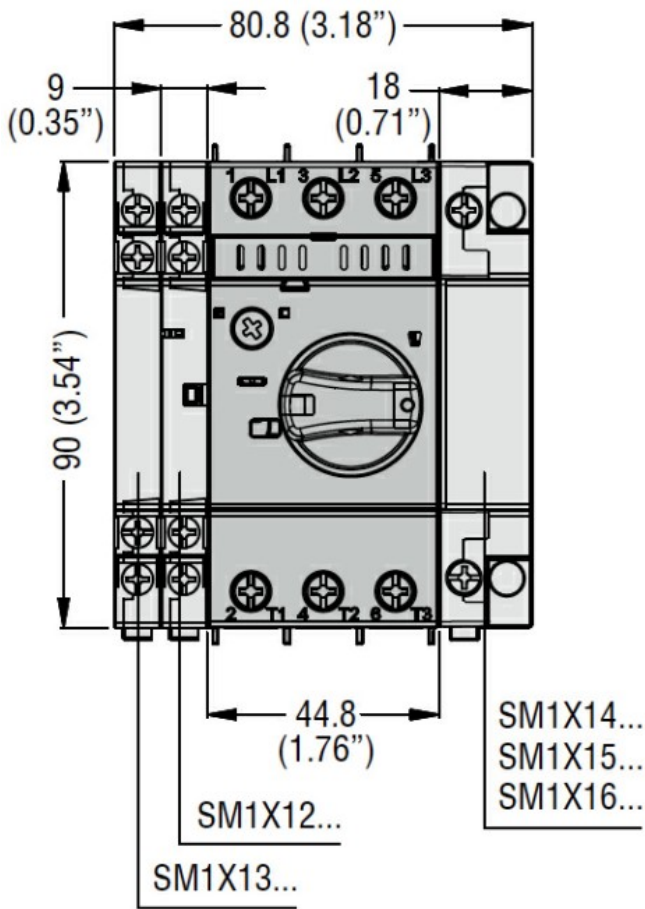




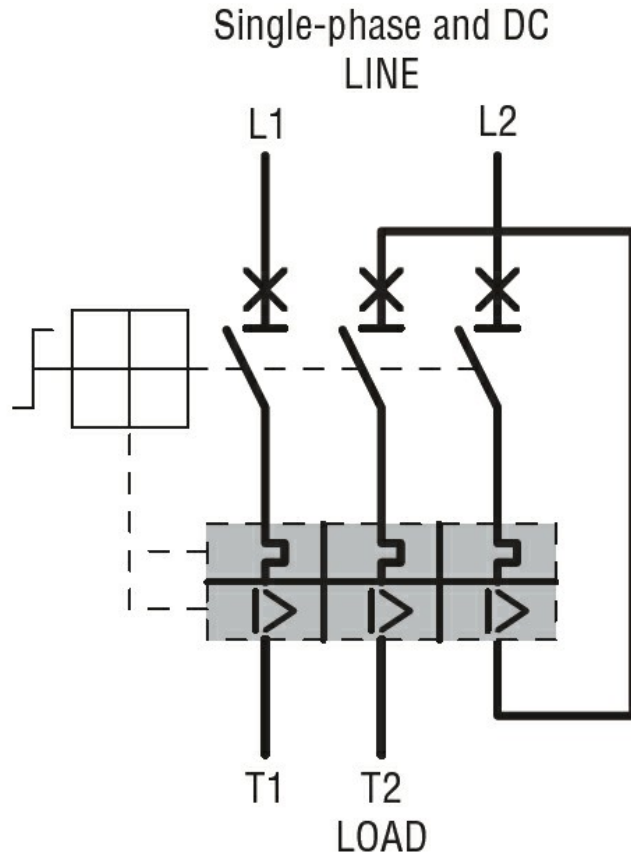
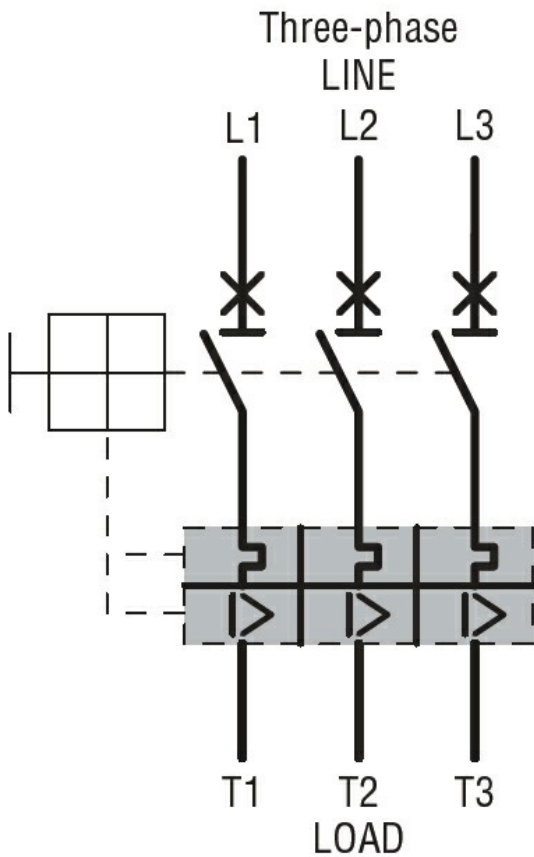
| | | | | | |
|--|--|------|-----------------|--|---|
| Product designation | | | | Motor protection circuit breaker SM1RM | |
| Product type designation | | | | SM1RM | |
| Electrical features | | | | | |
| Magnetic protection | | | | yes | |
| Thermal protection | | | | no | |
| Rated insulation voltage U_i IEC/EN | V | | | 690 | |
| Rated impulse withstand voltage U_{imp} | kV | | | 6 | |
| Rated frequency | Hz | | | 50/60 | |
| Rated current (I_n) | A | | | 6.5 | |
| Magnetic tripping | | | | $13 \times I_n$ | |
| Power dissipation per pole | min | W | 0.75 | | |
| | max | W | 1.99 | | |
| Operational short-circuit current breaking capacity (I_{cs}) at AC | 230V | kA | 100 | | |
| | 400V | kA | 100 | | |
| | 440V | kA | 100 | | |
| | 500V | kA | 100 | | |
| | 690V | kA | 2 | | |
| | Maximum short-circuit current breaking capacity (I_{cu}) at AC | 230V | kA | 100 | |
| 400V | | kA | 100 | | |
| 440V | | kA | 100 | | |
| 500V | | kA | 100 | | |
| 690V | | kA | 4 | | |
| IEC Utilization category | | | | | A |
| Operations | | | | | |
| Mechanical life | | | cycles | 100000 | |
| Electrical life | | | cycles | 100000 | |
| Mechanical features | | | | | |
| Tightening torque for terminals | min | Nm | 2.5 | | |
| | max | Nm | 3 | | |
| | min | lbin | 22 | | |
| | max | lbin | 26.5 | | |
| Conductor section | AWG/Kcmil | min | 16 | | |
| | | max | 8 | | |
| | Flexible w/o lug conductor section | min | mm ² | 1 | |
| | | max | mm ² | 10 | |
| | Flexible c/w lug conductor section | min | mm ² | 1 | |

| | | | | |
|---|--------------|-----|-----------------|--------------------------|
| | | max | mm ² | 10 |
| Flexible with insulated spade lug conductor section | | min | mm ² | 1 |
| | | max | mm ² | 10 |
| Screwdriver | | | | PH2 |
| Cable stripping length | main circuit | mm | | 12 |
| Ambient conditions | | | | |
| Temperature | | | | |
| Operating temperature | | | | |
| | | min | °C | -20 |
| | | max | °C | +60 |
| Storage temperature | | | | |
| | | min | °C | -50 |
| | | max | °C | +80 |
| Compensation temperature | | | | |
| | | min | °C | -20 |
| | | max | °C | +50 |
| Max altitude | | | m | 3000 |
| Operating position | allowable | | | Any |
| Fixing | | | | Screw / DIN rail 35mm |
| Weight | | | g | 390 |
| UL technical data | | | | |
| Motor Disconnect | | | | |
| | at 480V | kA | | 30 |
| | at 600V | kA | | 30 |
| | protection | | | Fuse or CB |
| Group Motor Installation | | | | |
| | at 480V | kA | | 30 |
| | at 600V | kA | | 30 |
| | protection | | | Fuse or CB |
| Tap Conductor Protection | | | | |
| | at 480Y/277V | kA | | 30 |
| | at 600Y/347V | kA | | 30 |

Dimensions



Wiring diagrams



Certifications and compliance

Certifications

CSA C22.2 n° 60947-4-1

IEC/EN 60947-1

IEC/EN 60947-2

IEC/EN 60947-4-1

UL60947-4-1

Compliance

cULus

EAC

ETIM classification

ETIM 8.0

EC000074 -
Motor protection
circuit-breaker