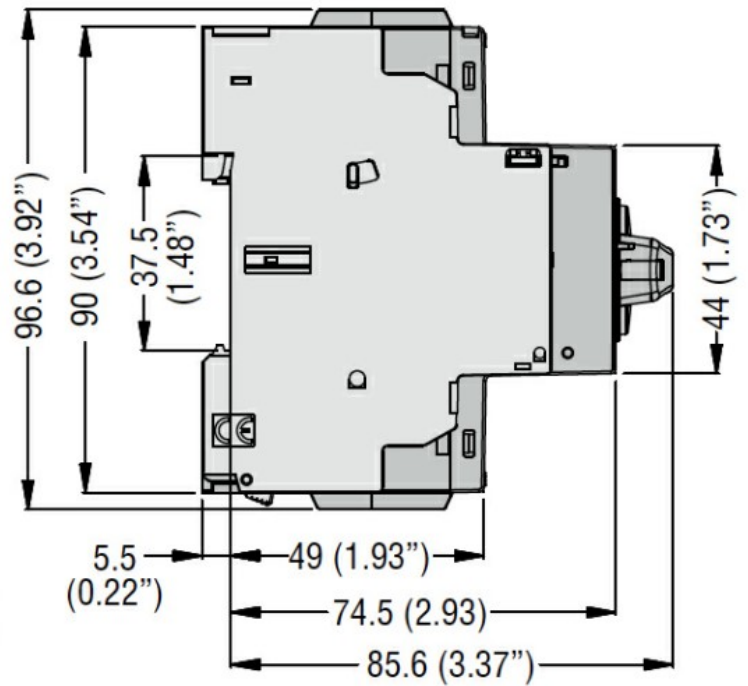
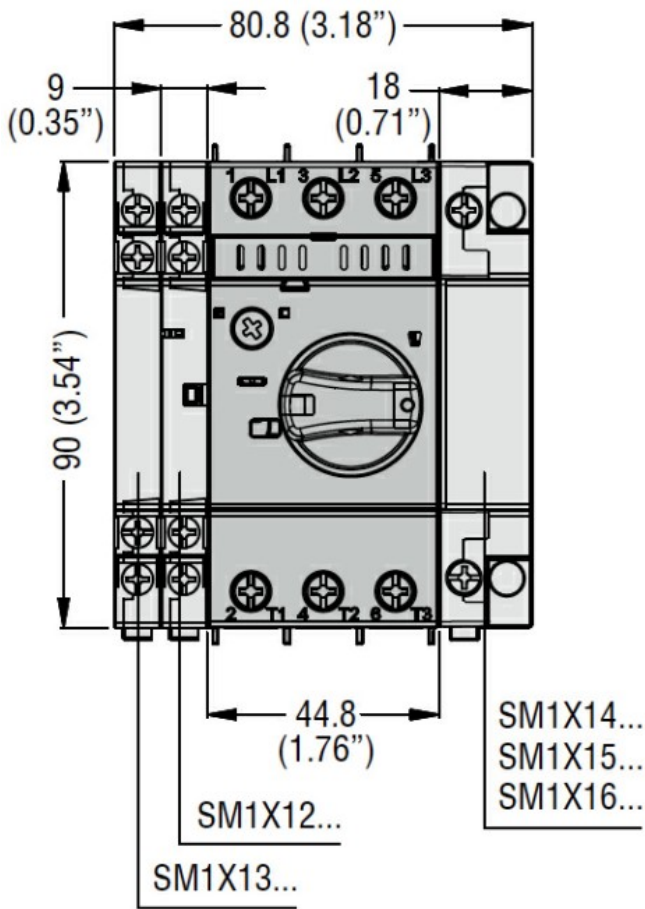




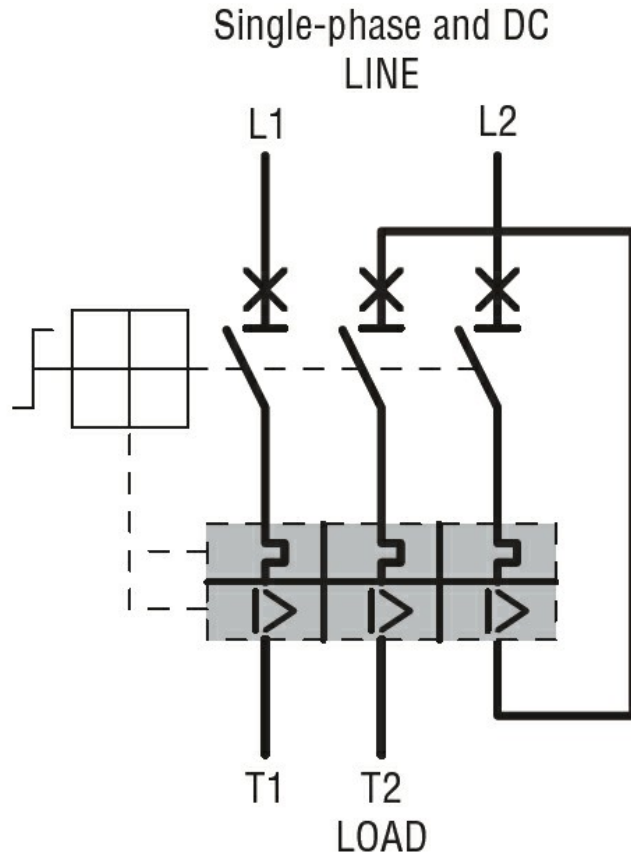
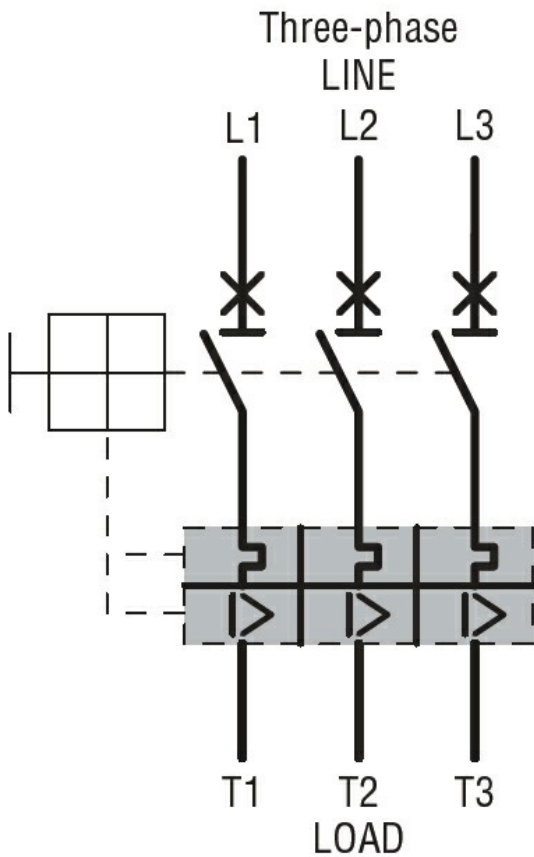
Product designation	Motor protection circuit breaker SM1RM		
Product type designation	SM1RM		
Electrical features			
Magnetic protection	yes		
Thermal protection	no		
Rated insulation voltage U_i IEC/EN	V	690	
Rated impulse withstand voltage U_{imp}	kV	6	
Rated frequency	Hz	50/60	
Rated current (I_n)	A	4	
Magnetic tripping	13 x I_n		
Power dissipation per pole	min	W	0.90
	max	W	2.29
Operational short-circuit current breaking capacity (I_{cs}) at AC	230V	kA	100
	400V	kA	100
	440V	kA	100
	500V	kA	100
	690V	kA	10
	Maximum short-circuit current breaking capacity (I_{cu}) at AC	230V	kA
400V		kA	100
440V		kA	100
500V		kA	100
690V		kA	10
IEC Utilization category		A	
Operations			
Mechanical life	cycles	100000	
Electrical life	cycles	100000	
Mechanical features			
Tightening torque for terminals	min	Nm	2.5
	max	Nm	3
	min	lbin	22
	max	lbin	26.5
Conductor section	AWG/Kcmil	min	16
		max	8
Flexible w/o lug conductor section	min	mm ²	1
	max	mm ²	10
Flexible c/w lug conductor section	min	mm ²	1

		max	mm ²	10
Flexible with insulated spade lug conductor section		min	mm ²	1
		max	mm ²	10
Screwdriver				PH2
Cable stripping length	main circuit	mm		12
Ambient conditions				
Temperature				
Operating temperature				
		min	°C	-20
		max	°C	+60
Storage temperature				
		min	°C	-50
		max	°C	+80
Compensation temperature				
		min	°C	-20
		max	°C	+50
Max altitude			m	3000
Operating position	allowable			Any
Fixing				Screw / DIN rail 35mm
Weight			g	390
UL technical data				
Motor Disconnect				
	at 480V	kA		30
	at 600V	kA		30
	protection			Fuse or CB
Group Motor Installation				
	at 480V	kA		30
	at 600V	kA		30
	protection			Fuse or CB
Tap Conductor Protection				
	at 480Y/277V	kA		30
	at 600Y/347V	kA		30

Dimensions



Wiring diagrams



Certifications and compliance

Certifications

CSA C22.2 n° 60947-4-1

IEC/EN 60947-1

IEC/EN 60947-2

IEC/EN 60947-4-1

UL60947-4-1

Compliance

cULus

EAC

ETIM classification

ETIM 8.0

EC000074 -
Motor protection
circuit-breaker