



Product designation

Motor protection
circuit breaker
SM1PF

Product type designation

Electrical features

Rated insulation voltage U_i IEC/EN	V	690
Rated impulse withstand voltage U_{imp}	kV	6
Rated frequency	Hz	50/60
Rated current (I_n)	A	0.2
Magnetic tripping		1.2A
Power dissipation per pole	min	W 0.81
	max	W 1.97

Operational short-circuit current breaking capacity (I_{cs}) at AC

230V	kA	100
400V	kA	100
440V	kA	100
500V	kA	100
690V	kA	100

Maximum short-circuit current breaking capacity (I_{cu}) at AC

230V	kA	100
400V	kA	100
440V	kA	100
500V	kA	100
690V	kA	100

IEC Utilization category

A

Operations

Mechanical life	cycles	100000
Electrical life	cycles	100000

Mechanical features

Tightening torque for terminals

min	lbin	22
max	lbin	26.5

Conductor section

Flexible w/o lug conductor section

min	mm ²	1
max	mm ²	10

Flexible c/w lug conductor section

min	mm ²	1
max	mm ²	10

Flexible with insulated spade lug conductor section

min	mm ²	1
max	mm ²	10

Cable stripping length

main circuit	mm	12
--------------	----	----

Ambient conditions

Operating position

normal
allowable

Vertical plan
Any

Fixing

Screw / DIN rail
35mm

Weight

g 280

UL technical data

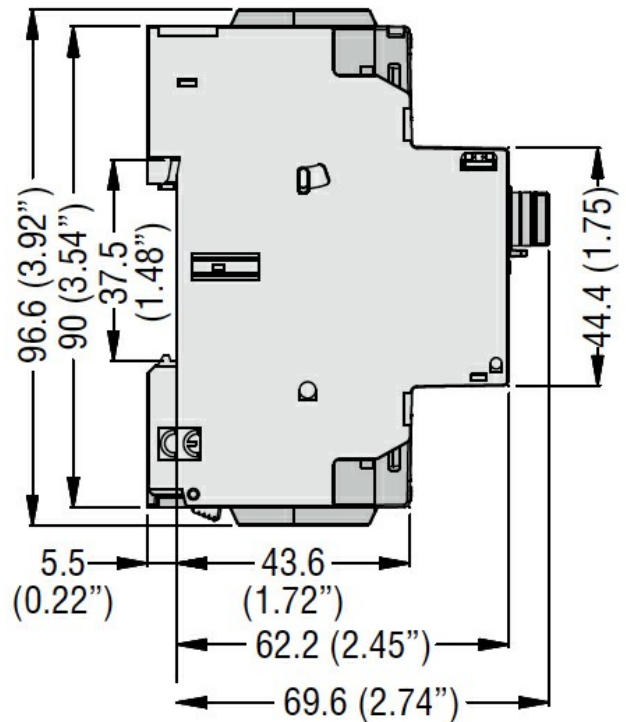
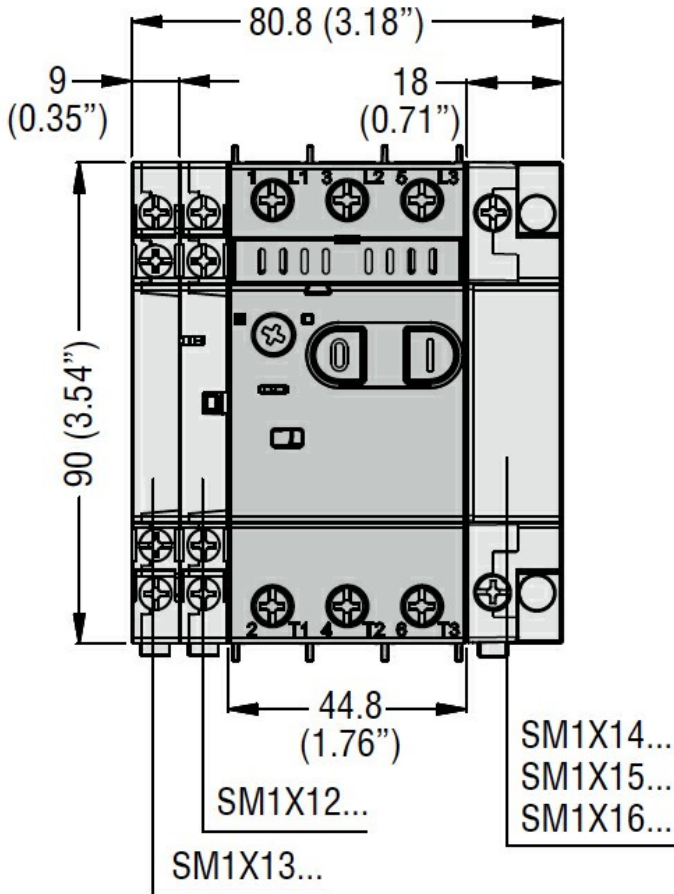
Motor Disconnect

at 240V	kA	50
at 480V	kA	50
at 600V	kA	50
protection		Fuse or CB

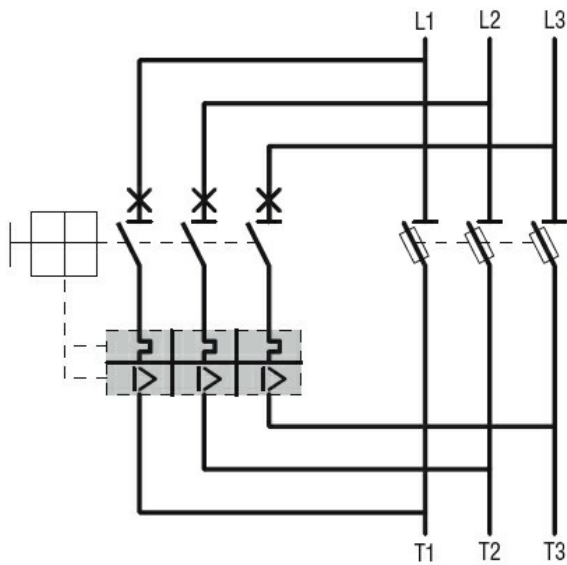
Group Motor Installation

at 240V	kA	50
at 480V	kA	50
at 600V	kA	50
protection		Fuse or CB

Dimensions



Wiring diagrams



Certifications and compliance

Certifications

CSA C22.2 n° 14
IEC/EN 60947-1
IEC/EN 60947-2
IEC/EN 60947-4-1
UL508

Compliance

cULus
EAC

ETIM classification

ETIM 8.0

EC000074 -
Motor protection
circuit-breaker