



Motor protection
circuit breaker
SM1P

Product designation

Product type designation

Electrical features

Number of poles	Nr.	3
Magnetic protection		yes
Thermal protection		yes
Phase failure detection		yes
Rated insulation voltage U_i IEC/EN	V	690
Rated impulse withstand voltage U_{imp}	kV	6
Rated frequency	Hz	50/60
Thermal trip adjustment range		30...40
Rated current (I_n)	A	40
Magnetic tripping		13 x I_n

Power dissipation per pole	min	W	3.44
	max	W	6.12
Operational short-circuit current breaking capacity (I_{cs}) at AC	230V	kA	20
	400V	kA	5
	440V	kA	5
	500V	kA	5
	690V	kA	2

Maximum short-circuit current breaking capacity (I_{cu}) at AC	230V	kA	20
	400V	kA	10
	440V	kA	10
	500V	kA	10
	690V	kA	2

Tripping class		10A
IEC Utilization category		A

Operations

Mechanical life	cycles	100000
Electrical life	cycles	100000

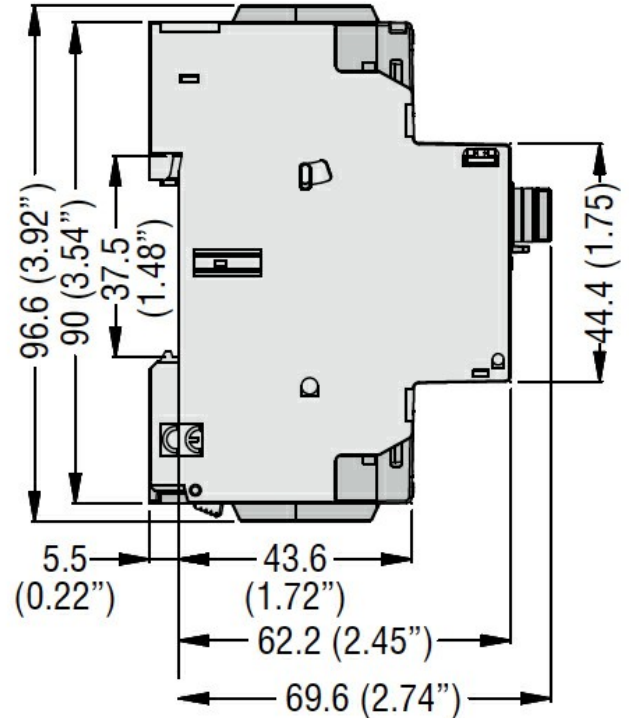
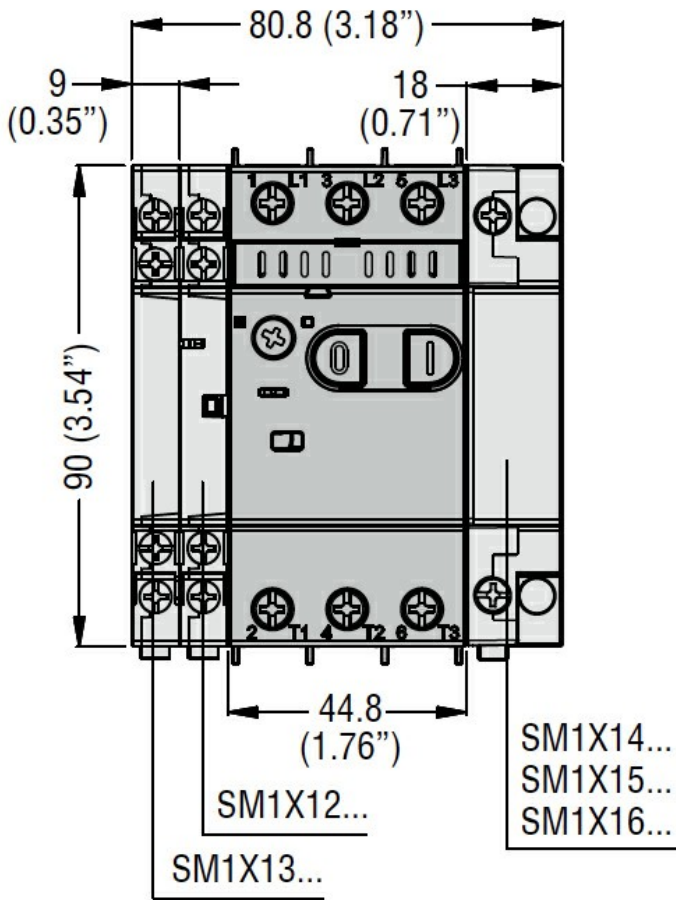
Mechanical features

Tightening torque for terminals	min	Nm	2.5
	max	Nm	3
	min	lbin	22
	max	lbin	26.5

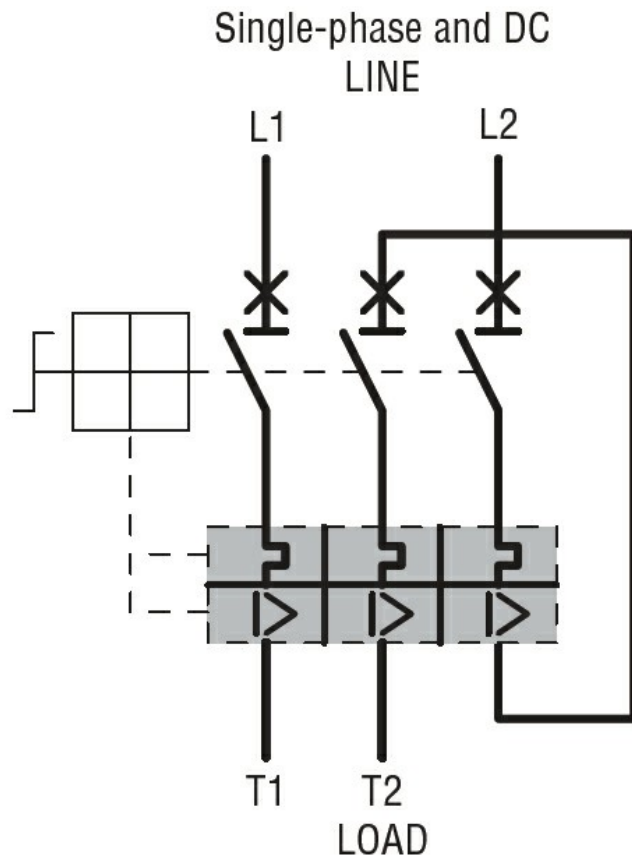
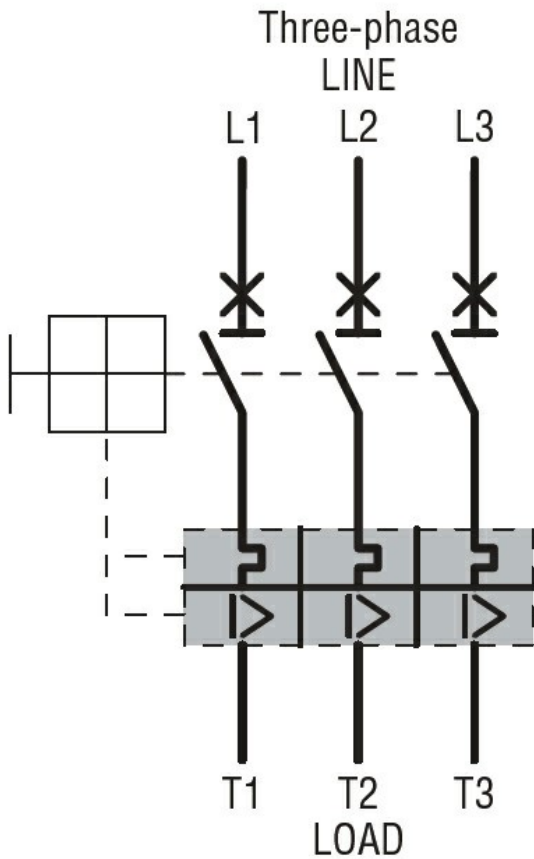
Max number of wires simultaneously connectable	Nr.	2
--	-----	---

Conductor section	AWG/Kcmil	
	min	16
	max	8

Flexible w/o lug conductor section	min	mm ²	1
	max	mm ²	10
Flexible c/w lug conductor section	min	mm ²	1
	max	mm ²	10
Flexible with insulated spade lug conductor section	min	mm ²	1
	max	mm ²	10
Screwdriver			PH2
Power terminal protection according to IEC/EN 60529			IP20 on front
Cable stripping length	main circuit	mm	12
Ambient conditions			
Temperature	Operating temperature		
	min	°C	-20
	max	°C	+60
	Storage temperature		
	min	°C	-50
	max	°C	+80
	Compensation temperature		
	min	°C	-20
	max	°C	+50
Max altitude		m	3000
Operating position	normal allowable		Vertical plan Any
Fixing			Screw / DIN rail 35mm
Weight		g	350
UL technical data			
Motor Disconnect	at 240V	kA	5
	at 480V	kA	5
	protection		Fuse or CB
Group Motor Installation	at 240V	kA	5
	at 480V	kA	5
	protection		Fuse or CB
Tap Conductor Protection	at 480Y/277V	kA	50
	at 600Y/347V	kA	50
Maximum UL/CSA horsepower ratings single-phase	110V-120V	HP	3
	220V-240V	HP	7.5
Maximum UL/CSA horsepower ratings three-phase, 3-pole	200V-208V	HP	10
	220V-240V	HP	10
	440V-480V	HP	30
Dimensions			



Wiring diagrams



Certifications and compliance

Certifications

CSA C22.2 n° 14

IEC/EN 60947-1

IEC/EN 60947-2

IEC/EN 60947-4-1

UL508

Compliance

cULus

EAC

ETIM classification

ETIM 8.0

EC000074 -
Motor protection
circuit-breaker