

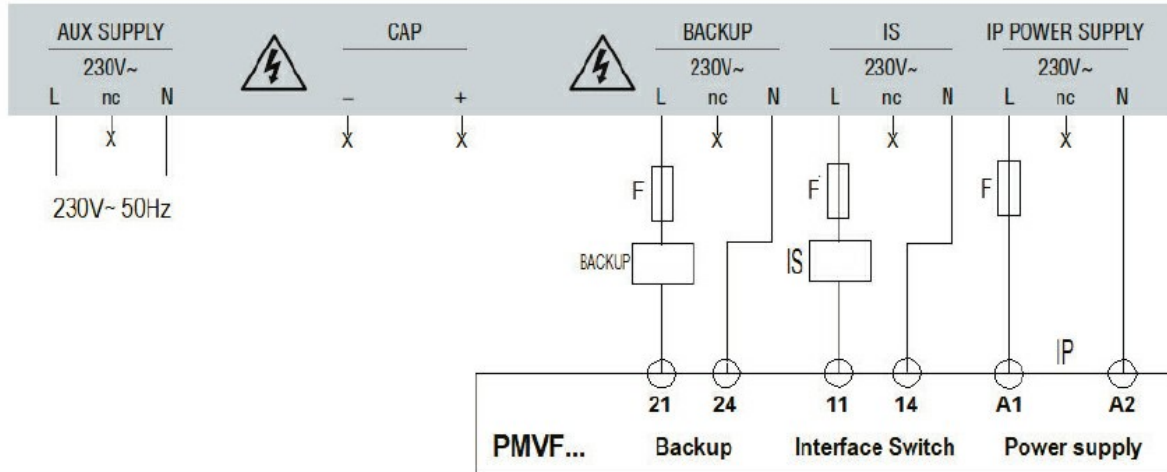


Product designation	Backup power supply for IP units		
Product type designation	PMVFUPS02		
General characteristics			
Description	Backup power supply without interruption, full static technology		
Type of system	Single-phase		
Power supply			
Auxiliary supply voltage U_s	230VAC		
Operating voltage range	100...260VAC		
Rated frequency	Hz	50	
Operational frequency	min	Hz	40
	max	Hz	65
Protection	Fuse 5A (5x20)		
Power outputs			
Voltage	230VAC		
Frequency	Hz	50	
Protection	Fuse 5A(5x20)		
Power	VA	650 each outputs	
Available energy	Ws	645	
Time to store energy	60s		
Connections			
Terminals type	Fixed		
Tightening torque for terminals	max	Nm	0.5
	max	Ibin	4.5
Conductor cross section	AWG/Kcmil	min	AWG 24
		Max	AWG 12
	IEC	min	mm ² 0.2
		Max	mm ² 2.5
Ambient conditions			
Temperature	Operating temperature	min	°C -5
		max	°C +55
Housing			
Execution (n° of modules)	9		
Mounting	DIN rail EN 50022		

IEC degree of protection		IP20
Dimensions (W x H x D)	mm	157.5 x 90 x 70
Weight	g	430

Dimensions

Wiring diagrams



Certifications and compliance

Compliance

IEC/EN/BS 61010-1

ETIM classification

ETIM 8.0

EC002540 - DC-
power supply