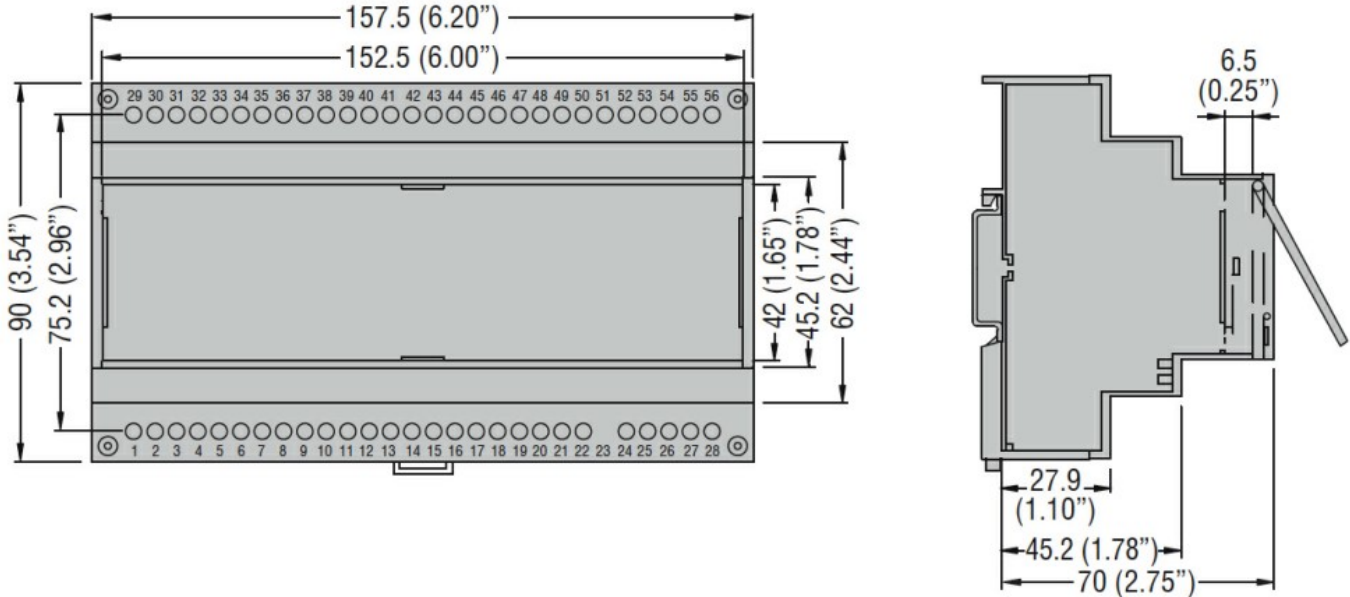


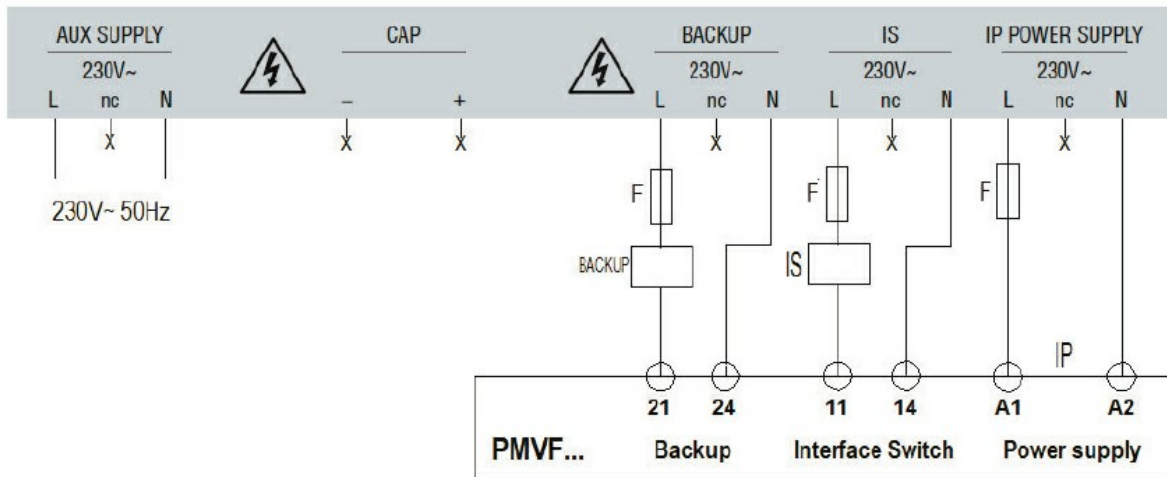
Product designation				Backup power supply for IP units
Product type designation				PMVFUPS01
<b>General characteristics</b>				
Description				Backup power supply without interruption, full static technology
Type of system				Single-phase
<b>Power supply</b>				
Auxiliary supply voltage Us				230VAC
Operating voltage range				196...264VAC
Rated frequency		Hz		50
Operational frequency		min	Hz	45
		max	Hz	55
Protection				Fuse 6.3A (5x20)
<b>Power outputs</b>				
Voltage				230VAC
Frequency		Hz		50
Protection				Fuse 5A(5x20) + PTC
Power		VA		250 x 1s; 1250 per 200ms
Available energy		Ws		200
Time to store energy				15s
<b>Connections</b>				
Terminals type				Fixed
Tightening torque for terminals		max	Nm	0.5
		max	Ibin	4.5
Conductor cross section	AWG/Kcmil		min	AWG 24
			Max	AWG 12
	IEC		min	mm <sup>2</sup> 0.2
			Max	mm <sup>2</sup> 2.5
<b>Ambient conditions</b>				
Temperature	Operating temperature		min	°C -5
			max	°C +55
<b>Housing</b>				
Execution (n° of modules)				9

Mounting	DIN rail EN 50022
IEC degree of protection	IP20
Dimensions (W x H x D)	mm 157.5 x 90 x 70
Weight	g 500

**Dimensions**



**Wiring diagrams**



**Certifications and compliance**

Compliance

IEC/EN/BS 61010-1

**ETIM classification**

ETIM 8.0

EC002540 - DC-power supply