



Interface protection system units compliant with italian standard CEI 0-21 PMVF51

Product designation

Product type designation

General characteristics

Description

System with or without neutral in low voltage. Dual threshold minimum and maximum voltage and frequency protection.

Type of system

Three-phase with/without neutral / Single-phase

Power supply

Operating voltage range

85...264VAC / 93.5...300VDC

Rated frequency

Hz 45...55

Control circuit

Rated current (Ie)

A CT /5A /1A

Auxiliary supply

Rated auxiliary supply voltage Us

AC

min VAC 100
Max VAC 240

DC

min VDC 110
Max VDC 250

Power consumption

AC (Max)

VA 4.6VA at 110VAC;
12.5VA at 230VAC

DC (Max)

VA 23mA at 110VDC; 11mA at 250VDC

Power dissipation

AC (Max)

INTERFACE PROTECTION UNIT COMPLIANT WITH ITALIAN STANDARD CEI 0-21, FOR SINGLE-PHASE AND THREE-PHASE SYSTEM, WITH OR WITHOUT NEUTRAL, IN LOW VOLTAGE, DUAL THRESHOLD MINIMUM AND MAXIMUM VOLTAGE AND FREQUENCY PROTECTION, 230VAC - 400VAC

	W	2.5W at 110VAC; 2.7W at 230VAC
DC (Max)	W	2.3W at 110VDC; 2.5W at 250VDC
Immunity time for microbreakings	ms	≤50ms at 100VDC; ≤200ms at 240VDC
Voltage inputs		
Maximum rated operational voltage		400VAC L-L; 230VAC L-N 50Hz
Measurement range	V	20...480VAC L-L; 10...276VAC L-N
Frequency range	Hz	45...55
Current inputs		
Measurement range		For 1A scale: 0.01...1.2A; for 5A scale: 0.01...6A
Measurement method		RMS
Overload peak	A	50A for 1 second
Burden per phase	W	≤0.6W
Relay outputs		
Number of relays	Nr.	2
Contact arrangement		1 changeover contact/SPDT each
Rated operational voltage AC (IEC)	VAC	250
UL/CSA and IEC/EN 60947-5-1 designation		For NO contact: 5A 250VAC AC1/C300; 5A 30VDC For NC contact: 2A 250VAC AC1/C300; 2A 30VDC
Digital inputs		
Number and type of inputs		4 negative (PNP)
Input voltage		12VDC isolated
Input current	mA	7
Connections		
Terminals type		Screw - removable
Tightening torque for terminals	max	Nm 0.8
	max	lbin 4.5
Conductor cross section		
AWG/Kcmil	min	AWG 24
	Max	AWG 12
IEC		

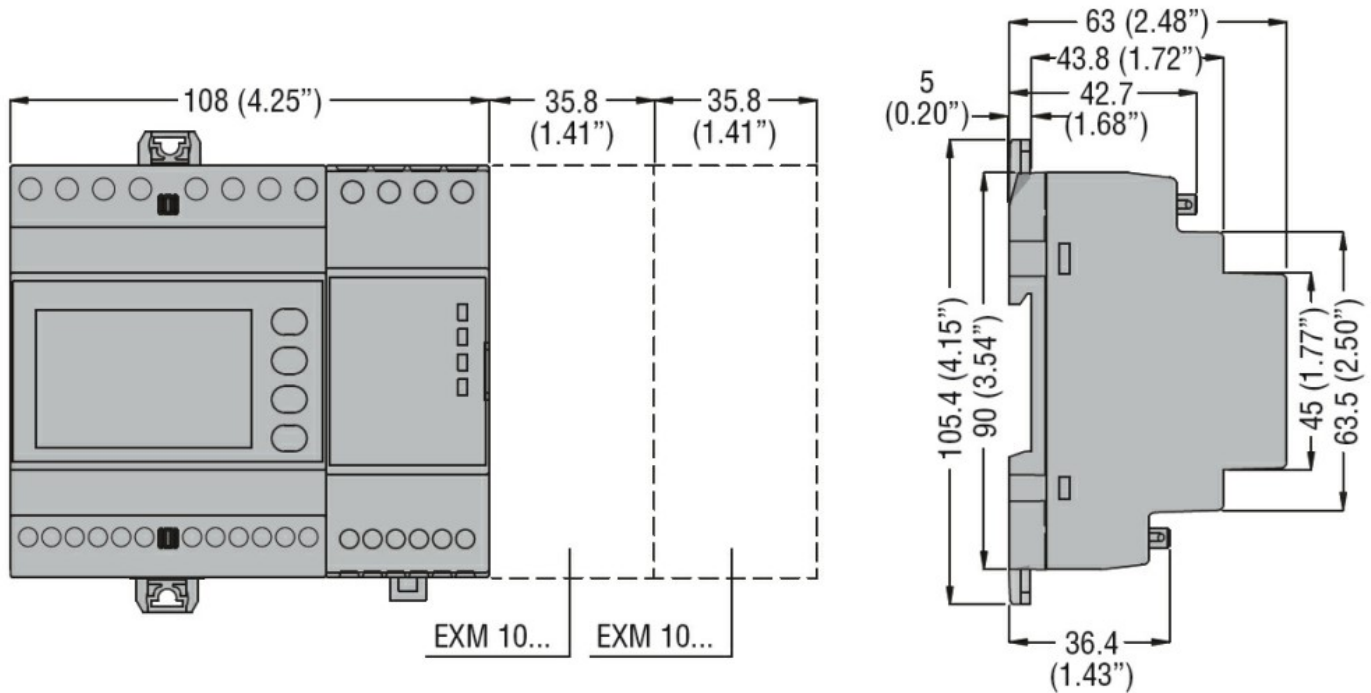
INTERFACE PROTECTION UNIT COMPLIANT WITH ITALIAN STANDARD CEI 0-21, FOR SINGLE-PHASE AND THREE-PHASE SYSTEM, WITH OR WITHOUT NEUTRAL, IN LOW VOLTAGE, DUAL THRESHOLD MINIMUM AND MAXIMUM VOLTAGE AND FREQUENCY PROTECTION, 230VAC - 400VAC

min	mm ²	0.2
Max	mm ²	4

Housing

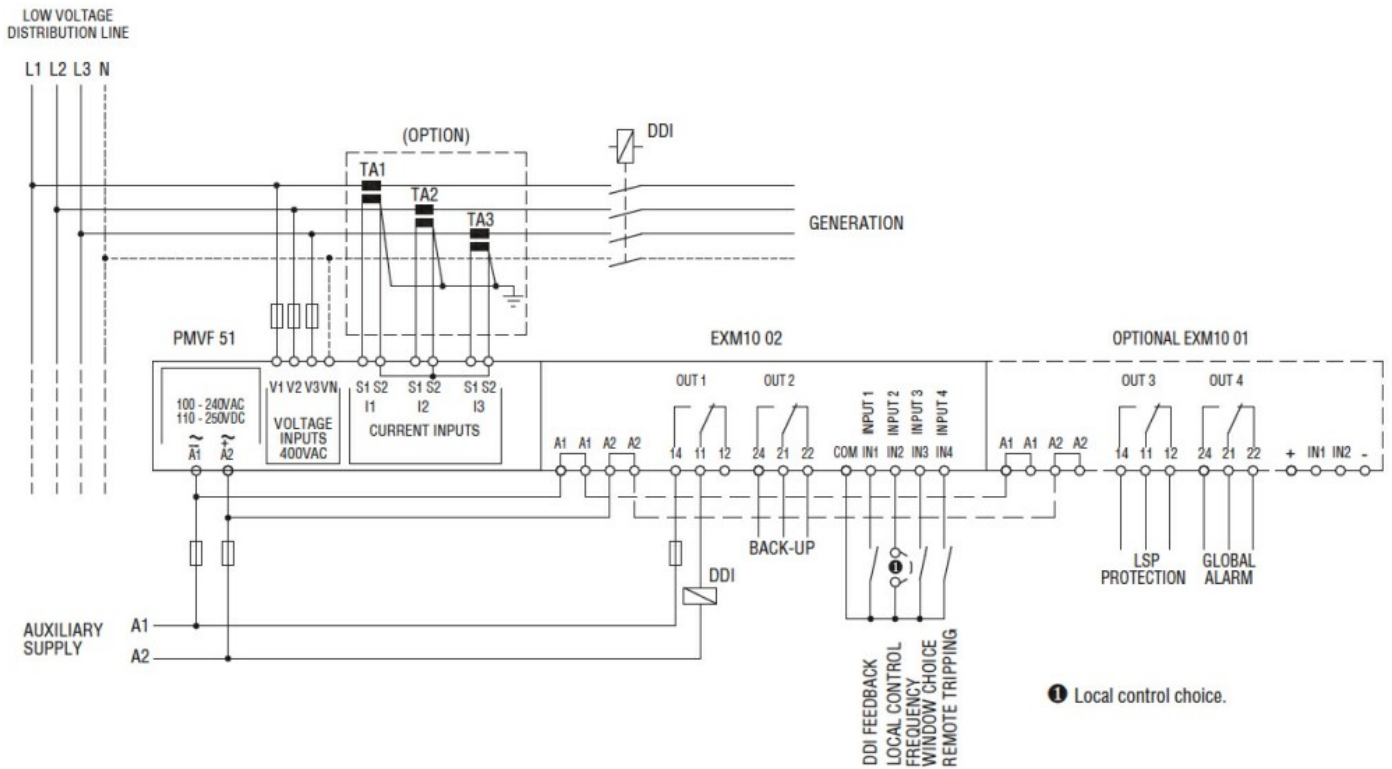
Execution (n° of modules)	6	
Material	Polyamide	
Mounting	Modular 6U	
IEC degree of protection	IP40 on front; IP20 at terminals	
Dimensions (W x H x D)	mm	108 x 105.4 x 63
Weight	g	470

Dimensions



Wiring diagrams

INTERFACE PROTECTION UNIT COMPLIANT WITH ITALIAN STANDARD CEI 0-21, FOR SINGLE-PHASE AND THREE-PHASE SYSTEM, WITH OR WITHOUT NEUTRAL, IN LOW VOLTAGE, DUAL THRESHOLD MINIMUM AND MAXIMUM VOLTAGE AND FREQUENCY PROTECTION, 230VAC - 400VAC



Certifications and compliance

Compliance

- IEC/EN 60255-5
- IEC/EN 61000-6-2
- IEC/EN 61000-6-3
- IEC/EN 61010-1

Certificates

CEI 0-21

ETIM classification

ETIM 8.0

EC001438 -
Voltage
monitoring relay