



Multifunction
voltage and
frequency
monitoring relays
with NFC
technology
PMV95N

Product designation

Product type designation

General characteristics

Description

Minimum and
maximum AC
voltage, minimum
and maximum
frequency, phase
loss, neutral loss,
incorrect phase
sequence and
asymmetry relay

Type of system

Three-phase
with/without
neutral

Power supply

Auxiliary supply voltage U_s		Self powered
Operating voltage range		0.7...1.2 U_e
Rated frequency	Hz	50/60 $\pm 5\%$
Power consumption Max	VA	30
Power dissipation Max	W	2.5

Control circuit

Rated voltage to control (U_e)	min	VAC	380
	Max	VAC	575
Voltage set-point ($\%U_e$)	min	%	80...95
	Max	%	105...115
Asymmetry set-point ($\%U_e$)		%	5...15
Frequency set-point ($\%$ rated frequency)	min	%	90...99
	Max	%	101...110
Tripping delay		s	0.1...30
Resetting time		s	0.1...30
Resetting hysteresis		%	1...5
Instantaneous tripping for U_e			Voltage $< 70\% U_e$
Type of reset			Automatic or manual
Repeat accuracy		%	$< \pm 0.1$
Relay outputs			
Number of relays		Nr.	1

Relay state		Normally energised De-energises at tripping
Contact arrangement		1 changeover SPDT
Rated operational voltage AC (IEC)	VAC	250
Maximum switching voltage	VAC	400
IEC Conventional free air thermal current Ith	A	8
UL/CSA and IEC/EN 60947-5-1 designation		B300
Electrical life (with rated load)	cycles	100000
Mechanical life	cycles	30000000

Functions

Modular version		2U
Minimum AC voltage		Yes
Maximum AC voltage		Yes
Natural loss		Yes
Phase loss		Yes
Incorrect phase sequence		Yes
Asymmetry		Yes
Minimum frequency		Yes
Maximum frequency		Yes
Programmable via NFC technology and APP		Yes

Indications

Indication		1 green LED for power and 5 red LEDs for tripping
------------	--	---

Connections

Terminals type		Screw	
Tightening torque for terminals			
	max	Nm	0.8
	max	Ibin	7
Conductor cross section			
AWG/Kcmil			
	min	AWG	24
	Max	AWG	12
IEC			
	min	mm ²	0.2
	Max	mm ²	4

Insulations

Rated insulation voltage Ui	V	600
Rated impulse withstand voltage Uimp	kV	6
Operating frequency withstand voltage	kV	4

Ambient conditions

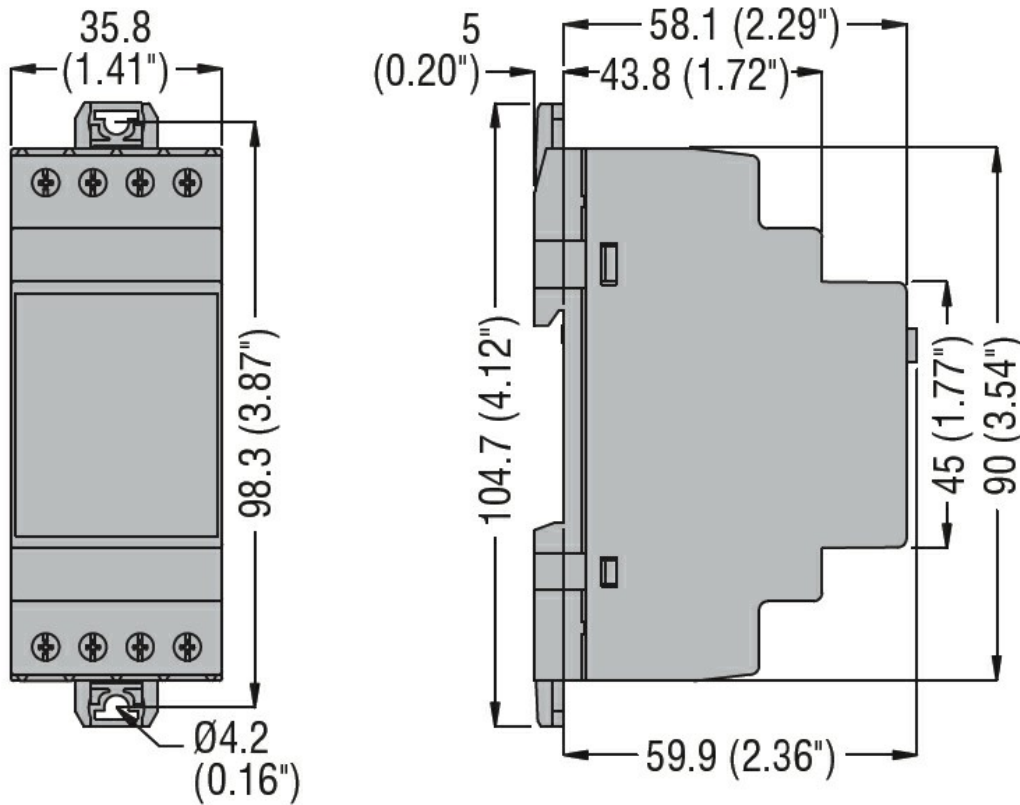
Temperature			
Operating temperature			
	min	°C	-20
	max	°C	+60
Storage temperature			
	min	°C	-30
	max	°C	+80

Housing

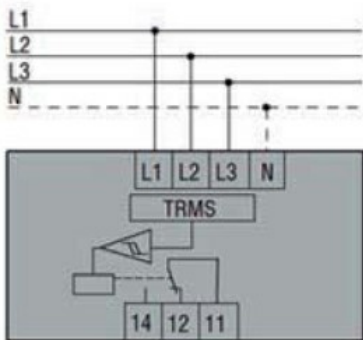
Execution (n° of modules)		2
---------------------------	--	---

Material	Self-extinguishing polyamide	
Mounting	35mm DIN rail (IEC/EN 60715)	
IEC degree of protection	IP40 on front; IP20 at terminals	
Dimensions (W x H x D)	mm	35.8 x 104.7 x 64.9
Weight	g	130

Dimensions



Wiring diagrams



Certifications and compliance

Compliance

CSA C22.2 n°14
IEC/EN 60255-26
IEC/EN 60255-27
UL508

Certificates

cULus
EAC

ETIM classification

ETIM 8.0

EC001438 -
Voltage
monitoring relay