



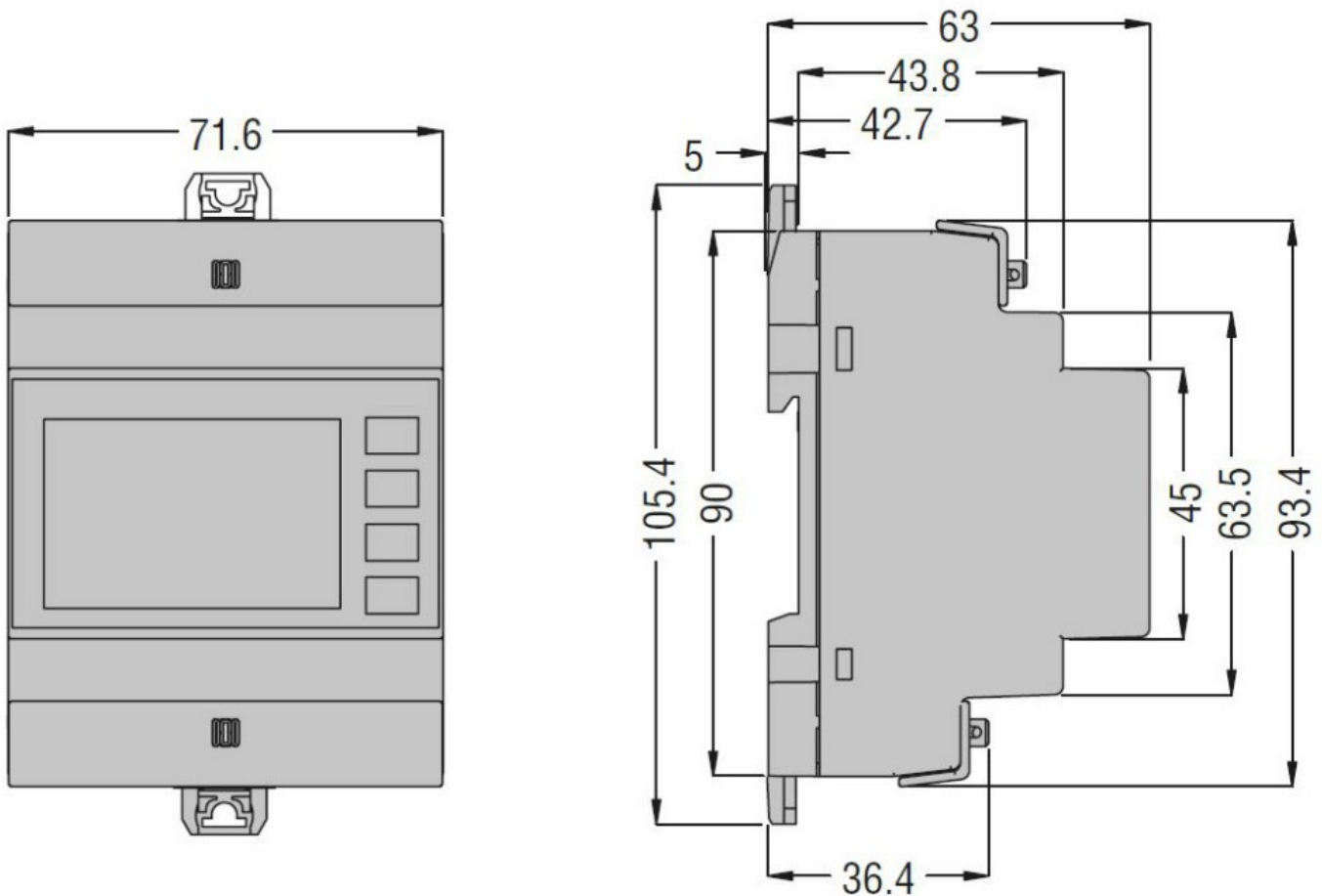
General characteristics

Description				Insulation monitoring device for DC EVCS
Type of system				IT
Power supply				
Auxiliary supply voltage U_s				12...24VDC
Operating voltage range				9.6...28.8VDC
Power dissipation Max	W			2.5
Control circuit				
External input				2
Auxiliary supply				
Rated auxiliary supply voltage U_s				
DC		min	VDC	9.6
		Max	VDC	28.8
Power consumption				
DC (Max)	W			2.5
Voltage inputs				
Maximum rated operational voltage				1000VDC
Measurement range	V			150...1200VDC
Digital inputs				
Number and type of inputs				2 digital inputs
Power outputs				
Voltage				60VDC (max)
Functions				
Modular version				Yes
Connections				
Tightening torque for terminals	max	Nm	0.8	
	max	Ibin	7	
Conductor cross section				
AWG/Kcmil		min	AWG	24
		Max	AWG	12
IEC		min	mm ²	0.2
		Max	mm ²	4
Insulations				
Rated impulse withstand voltage U_{imp}		kV	12.8	
Ambient conditions				
Temperature	Operating temperature			
	min	°C	-40	

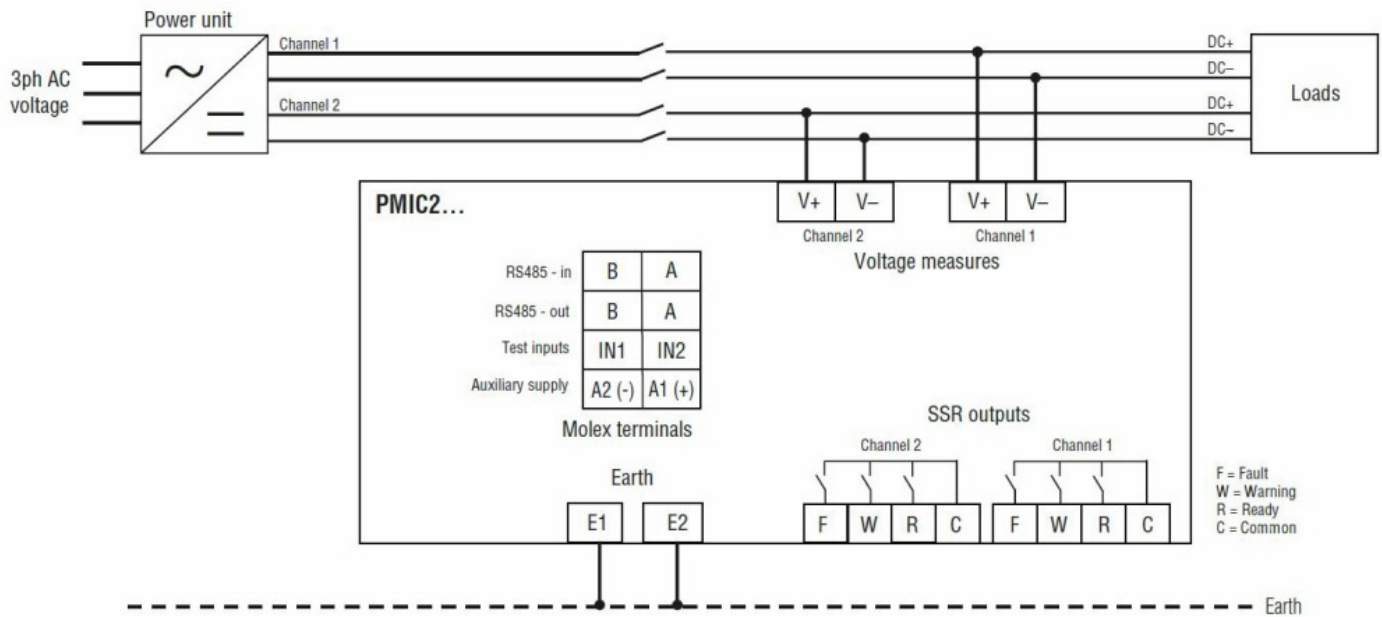
INSULATION MONITORING DEVICE FOR DC ELECTRIC VEHICLE CHARGING STATIONS.
DUAL CHANNEL, WITH DISPLAY AND BUILT-IN RS485 PORT. MAXIMUM MONITORED
VOLTAGE 1200VDC, AUXILIARY SUPPLY VOLTAGE 12-24VDC

	max	°C	+70
Storage temperature	min	°C	-40
	max	°C	+80
Relative humidity		%	<80%
Maximum Pollution degree			2
Overvoltage category			II
Housing			
Execution (n° of modules)			4
Material			Xantar
Mounting			Screw or DIN rail
IEC degree of protection			IP40 front, IP20 terminals
Dimensions (W x H x D)	mm		71.6x90x63
Weight	g		175

Dimensions



Wiring diagrams



Certifications and compliance

Compliance

- CSA 22.2 No
- CSA C22.2 No 61010-1
- IEC 61851-23
- IEC/EN 61010-1
- IEC/EN 61010-2-030
- IEC/EN 61326-2-4
- IEC/EN 61557-1
- IEC/EN 61557-18 (draft)
- IEC/EN 61557-8
- UL61010-1
- UL61010-2-030

Certificates

- CE
- UKCA

ETIM classification

ETIM 8.0

EC002844 -
Energy data
gateway