



Product designation	Insulation monitoring relay		
Product type designation	PMI		
<b>General characteristics</b>			
Description	Insulation monitoring relay		
Type of system	AC IT systems		
<b>Auxiliary supply</b>			
Rated auxiliary supply voltage $U_s$	AC		
	min	VAC	220
	Max	VAC	240
Auxiliary operating voltage	max	$U_s$	1.1
	min	$U_s$	0.85
Power consumption	AC (Max)		
		VA	3
Power dissipation	AC (Max)		
		W	1.5
<b>Voltage inputs</b>			
Frequency range		Hz	50/60
<b>Relay outputs</b>			
Number of relays	Nr.	1	
Relay state	Normally energised, de-energises at tripping		
Contact arrangement	1 changeover contact SPDT each		
Rated operational voltage AC (IEC)	VAC	250	
Maximum switching voltage	VAC	250	
IEC Conventional free air thermal current $I_{th}$	A	5	
Electrical life (with rated load)	cycles	300000	
Mechanical life	cycles	50000000	
<b>Indications</b>			
Indication	1 green LED for power on/inhibition 1 red LED for tripping		
<b>Connections</b>			
Terminals type	Screw		
Tightening torque for terminals	max	Nm	0.5

		max	Ibin	4.5
Conductor cross section				
	AWG/Kcmil	min	AWG	24
		Max	AWG	12
	IEC	min	mm <sup>2</sup>	0.2
		Max	mm <sup>2</sup>	2.5

### Insulations

Rated insulation voltage Ui		V	600
Rated impulse withstand voltage Uimp		kV	4
Operating frequency withstand voltage		kV	2.5

### Ambient conditions

#### Temperature

##### Operating temperature

min	°C	-10
max	°C	+60

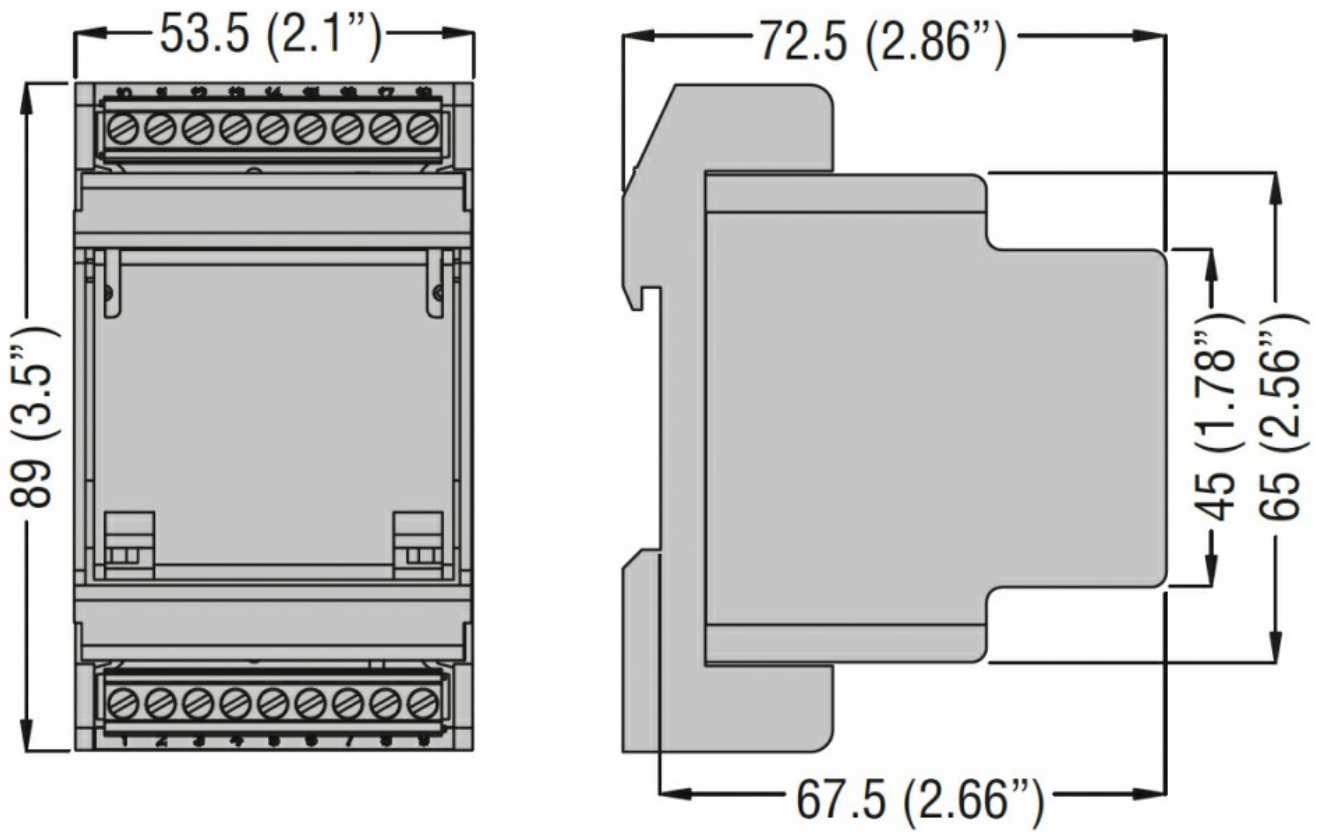
##### Storage temperature

min	°C	-20
max	°C	+70

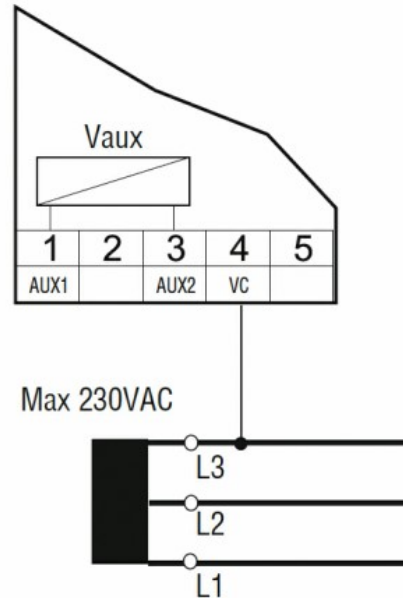
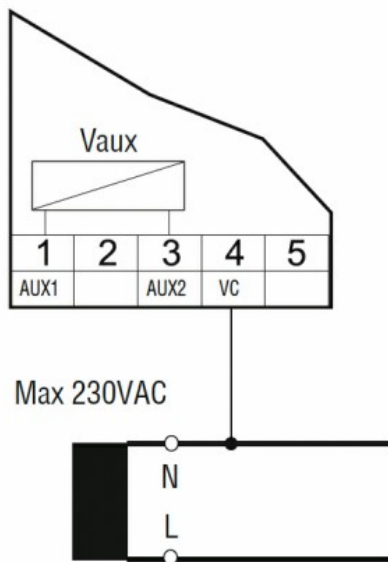
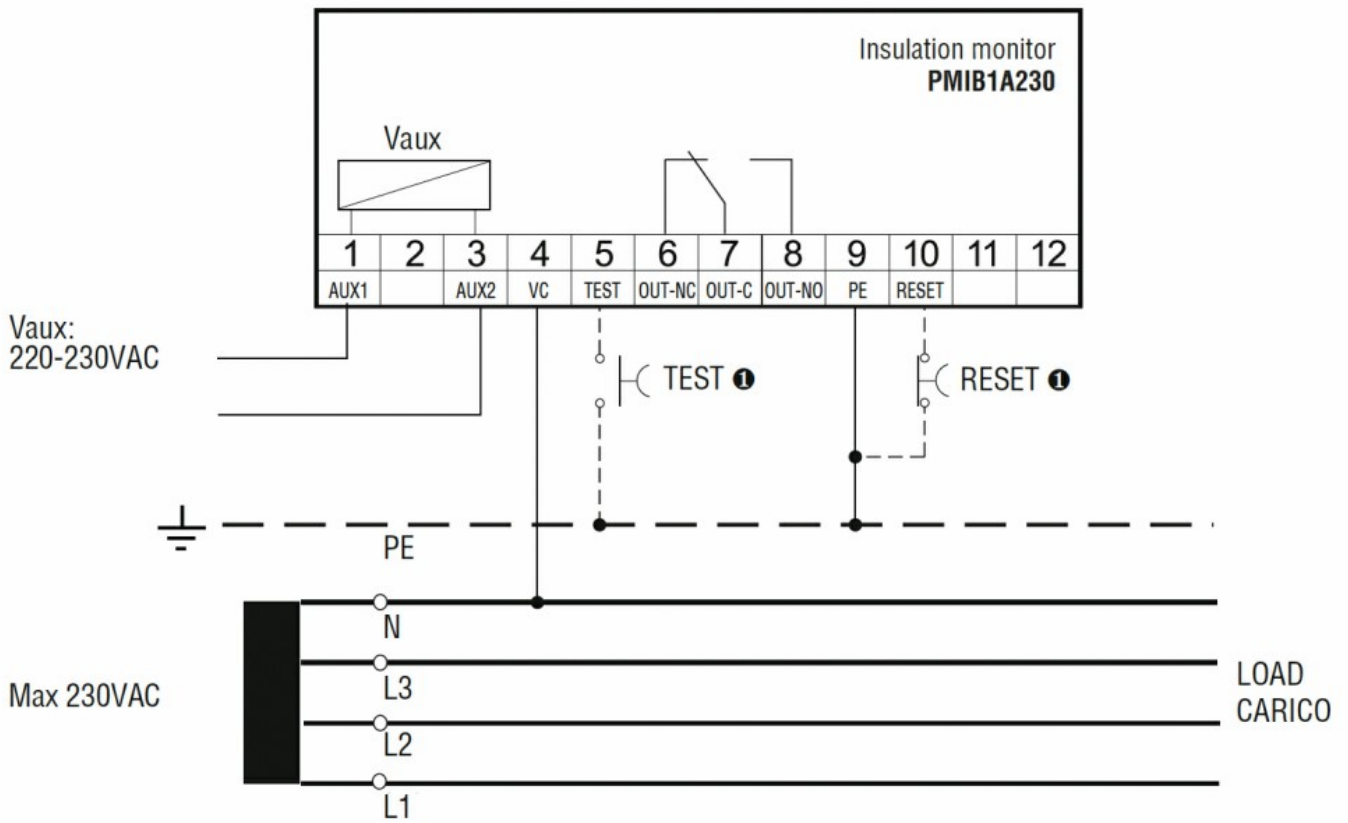
### Housing

Execution (n° of modules)		3
Material		Self-extinguishing polycarbonate
Mounting		Modular DIN 43880 housing
IEC degree of protection		IP40 on front; IP20 on the terminals
Dimensions (W x H x D)	mm	53.5x89x72.5
Weight	g	200

### Dimensions



Wiring diagrams



**Certifications and compliance**

**Compliance**

- IEC/EN/BS 61010-1
- IEC/EN/BS 61326-1
- IEC/EN/BS 61557-8