



Product designation	Safety transformer
Product type designation	CTRS
Operating voltage type	AC
Number of DIN modules	6

Electrical features

Output power	VA	63
Supply voltage	VAC	230
Rated output voltage	VAC	12...24

Control circuit

Auxiliary rated supply voltage U_s	230VAC
--------------------------------------	--------

Ambient conditions

Operating temperature	min	°C	-10
	max	°C	+25

Storage temperature

Storage temperature	min	°C	-40
	max	°C	+70

Mechanical features

Tightening torque for terminals	max	Nm	1
---------------------------------	-----	----	---

Conductor section

Power terminal	min	mm ²	0.5
	max	mm ²	10

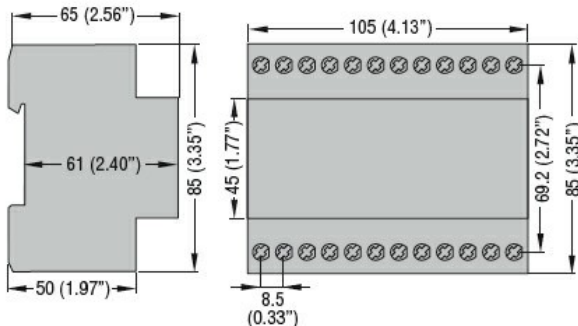
Terminals tool

Terminals tool	M4
----------------	----

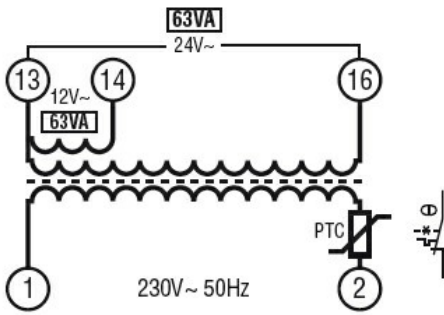
Weight

Weight	g	1319
--------	---	------

Dimensions



Wiring diagrams



Certifications and compliance

Compliance

IEC/EN 61558-2-8

ETIM classification

ETIM 8.0

EC002486 -
 One-phase
 control
 transformer