



Product designation

1/2 MODULE
 SPACER
 CN

Product type designation

Ambient conditions

Operating temperature

min °C -5

Storage temperature

min °C -30
 max °C 80

Mechanical features

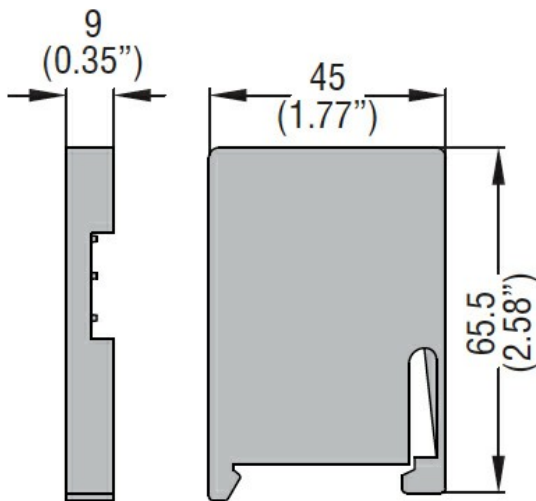
Fixing

DIN rail 35mm

Weight

g 13

Dimensions



Certifications and compliance

Compliance

/

Certificates

/

ETIM classification

ETIM 8.0

EC002498 -
 Accessories/spare
 parts for low-
 voltage switch
 technology