



Product designation	LATCHING RELAY		
Product type designation	CNB		
Operating voltage type	AC		
Manual control	YES		
Number of poles	2		
Number of DIN modules	1		
<b>Electrical features</b>			
IEC Conventional free air thermal current I <sub>th</sub>	A	20	
Rated insulation voltage U <sub>i</sub> IEC/EN	V	440	
Rated impulse withstand voltage U <sub>imp</sub>	kV	4	
Minimum switching capacity	≥10V ≥100mA		
Power dissipation per pole (average value) I <sub>th</sub>	W	1.7	
<b>Control circuit</b>			
Auxiliary rated supply voltage U <sub>s</sub>	230VAC		
Auxiliary contacts	NO	Nr.	2
Average coil consumption ≤20°C	in-rush	W	18/13
Operating voltage			
pick-up	min	%U <sub>s</sub>	85
	max	%U <sub>s</sub>	110
<b>Operating times</b>			
Average time			
Closing NO	min	ms	5
	max	ms	20
Opening NO	min	ms	5
	max	ms	20
<b>Operations</b>			
Mechanical life	cycles		3000000
Electrical life AC-3	cycles		300000
Electrical life AC1	cycles		200000
<b>Ambient conditions</b>			
Operating temperature	min	°C	-5
	max	°C	55
Storage temperature	min	°C	-30
	max	°C	80
Max altitude	m		2000
<b>Mechanical features</b>			
Fixing	DIN rail 35mm		

Tightening torque for coil terminal

max	Nm	0.6
max	lbin	0.6

Tightening torque for terminals

max	Nm	1.2
max	lbin	0.9

Conductor section

Coil terminal

min	mm <sup>2</sup>	1
max	mm <sup>2</sup>	2.5

Power terminal

min	mm <sup>2</sup>	1
max	mm <sup>2</sup>	10

Terminals tool

PZ2

Weight

g 135

**Resistance & Protection**

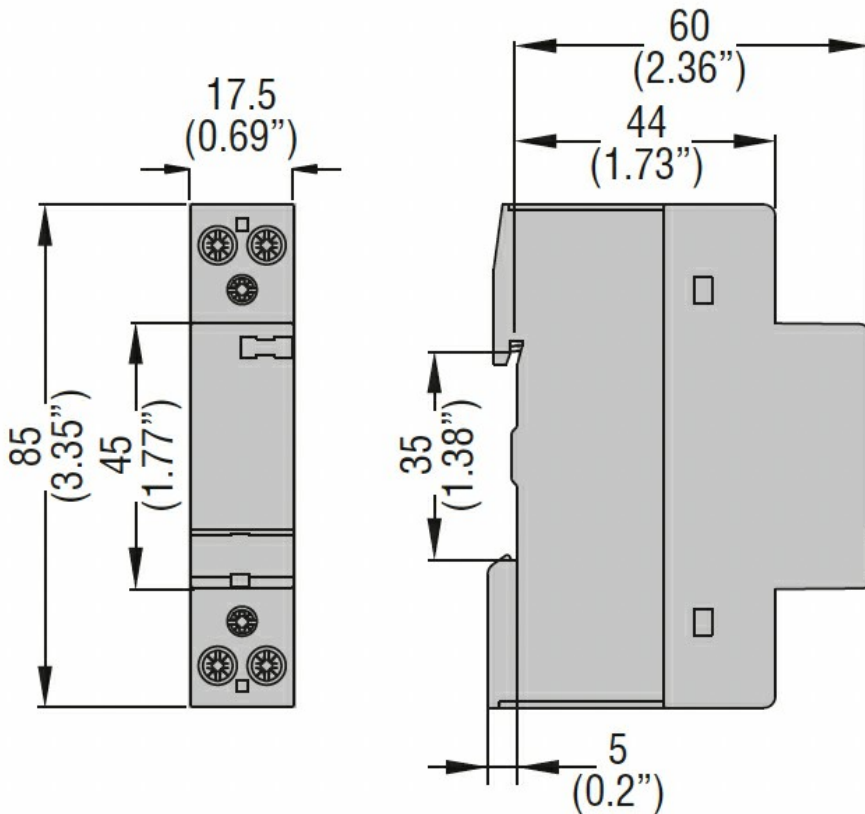
Frontal IP degree

IP20

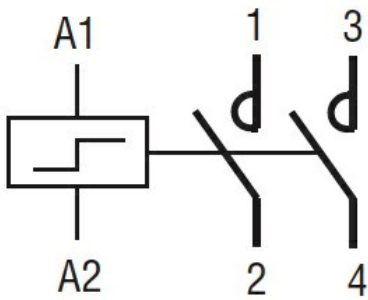
Pollution degree

3

**Dimensions**



**Wiring diagrams**



### Certifications and compliance

#### Compliance

IEC/EN/BS 60669-1

IEC/EN/BS 60669-2-2

IEC/EN/BS 60947-1

IEC/EN/BS 60947-4-1

IEC/EN/BS 60947-5-1

IEC/EN/BS 61095

#### Certificates

EAC

### ETIM classification

ETIM 8.0

EC000066 -  
Power contactor,  
AC switching