



Modular socket
Italian and
German (Schuko)
standard; 16A.
P1X7
2.5

Product designation

Product type designation

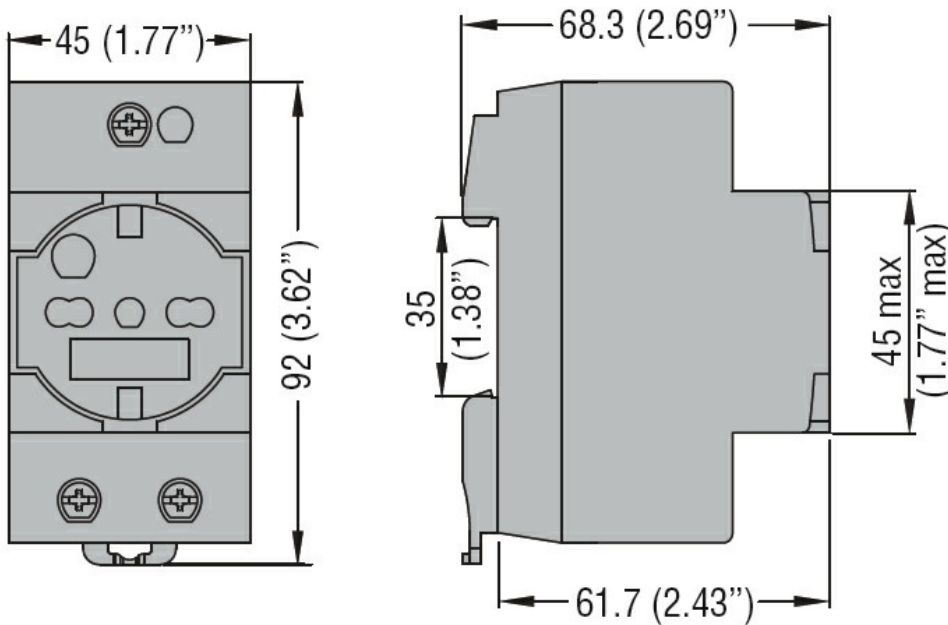
Number of DIN modules

Mechanical features

Weight

g 123

Dimensions



Certifications and compliance

Compliance

IEC/EN 80884-1

Certifications

EAC

ETIM classification

ETIM 8.0

EC000330 -
Multiple socket