



### Electrical features

Rated insulation voltage Ui IEC/EN	V	500
Rated operational voltage AC (IEC)	VAC	230
Rated operational voltage DC	VDC	220

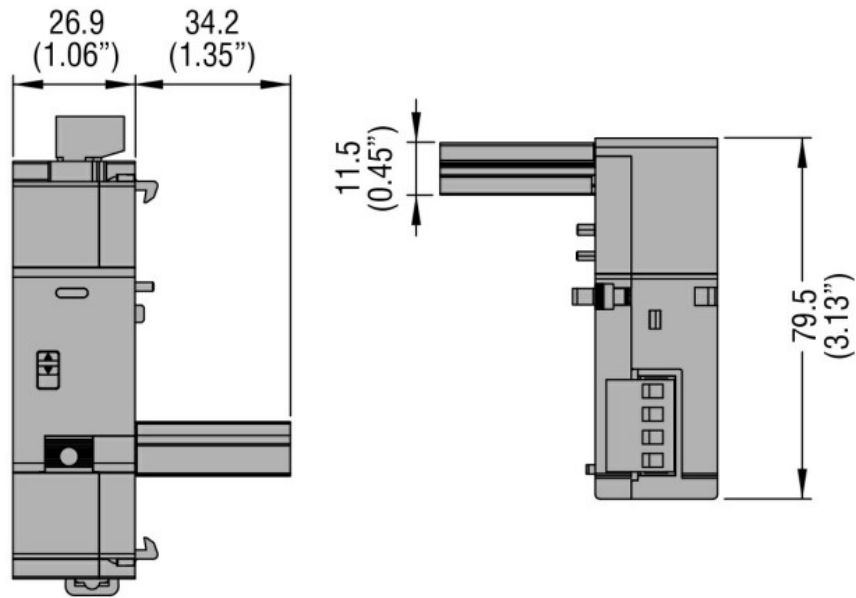
### Ambient conditions

Operating temperature	min	°C	-5
	max	°C	+40
Storage temperature	min	°C	-40
	max	°C	+80
Max altitude	m	2000	
Relative humidity	%	90	

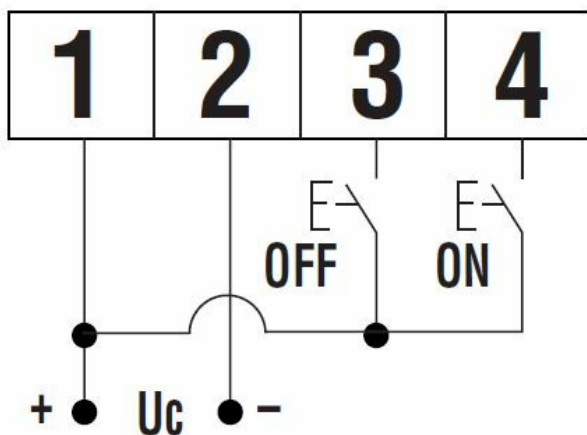
### Mechanical features

Operating position	normal allowable	Vertical plan Any	
Tightening torque for terminals	min	Nm	0.6
	max	Nm	0.6
	min	lbin	0.45
	max	lbin	0.45
Terminals tool		Flat-blade screwdriver	
Conductor section	IEC		
	min	mm <sup>2</sup>	0.5
	max	mm <sup>2</sup>	2.5
Weight		g	120
Terminals IP degree			IP20

### Dimensions



### Wiring diagrams



### ETIM classification

ETIM 8.0

EC001286 -  
Auxiliary device  
for distribution  
board devices