



Electrical features

Rated insulation voltage Ui IEC/EN	V	500
Rated operational voltage DC	VDC	24

Ambient conditions

Operating temperature	min	°C	-5
	max	°C	+40

Storage temperature	min	°C	-40
	max	°C	+80

Max altitude	m	2000
--------------	---	------

Relative humidity	%	90
-------------------	---	----

Mechanical features

Operating position	normal allowable	Vertical plan Any
--------------------	---------------------	----------------------

Tightening torque for terminals	min	Nm	0.6
	max	Nm	0.6
	min	lbin	0.45
	max	lbin	0.45

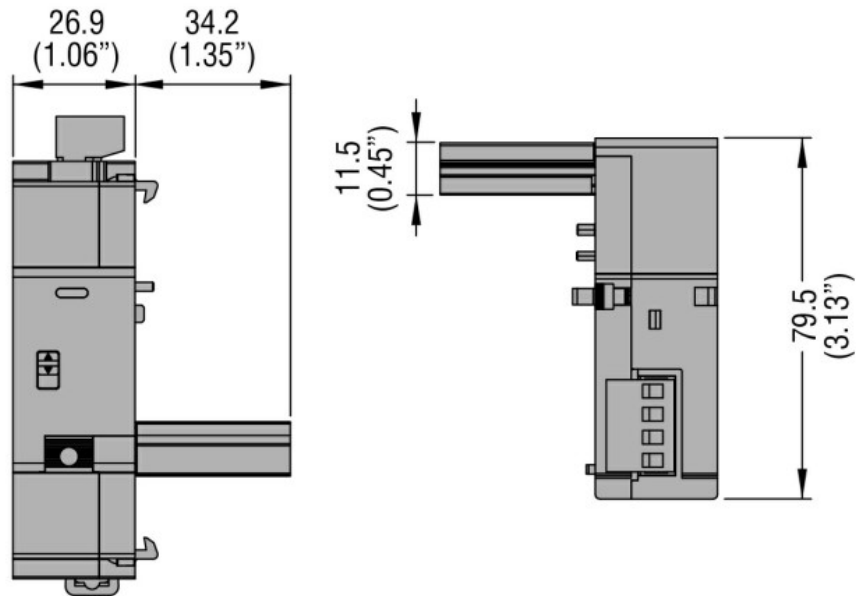
Terminals tool	Flat-blade screwdriver
----------------	---------------------------

Conductor section	IEC	min	mm ²	0.5
		max	mm ²	2.5

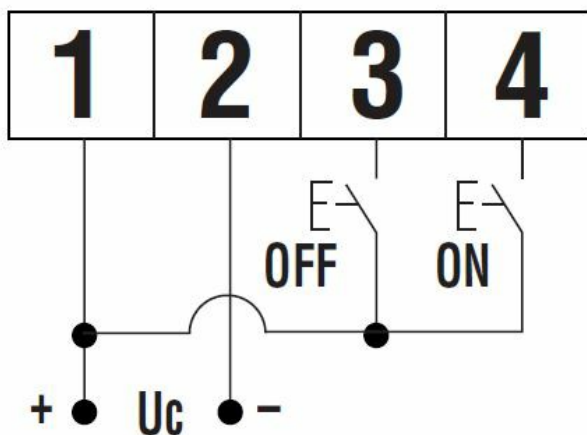
Weight	g	120
--------	---	-----

Terminals IP degree	IP20
---------------------	------

Dimensions



Wiring diagrams



ETIM classification

ETIM 8.0

EC001286 -
Auxiliary device
for distribution
board devices