



Electrical features

| | | |
|------------------------------------|-----|-----|
| Rated insulation voltage Ui IEC/EN | V | 500 |
| Rated operational voltage AC (IEC) | VAC | 230 |
| Rated operational voltage DC | VDC | 220 |

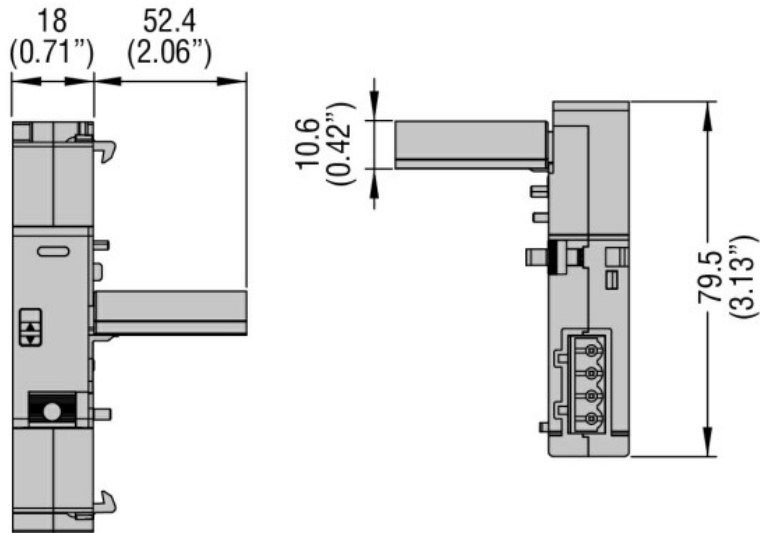
Ambient conditions

| | | | |
|-----------------------|-----|------|-----|
| Operating temperature | min | °C | -5 |
| | max | °C | +40 |
| Storage temperature | min | °C | -40 |
| | max | °C | +80 |
| Max altitude | m | 2000 | |
| Relative humidity | % | 90 | |

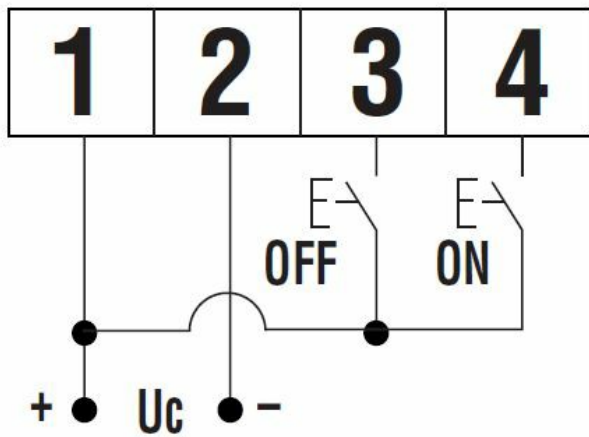
Mechanical features

| | | | |
|---------------------------------|------------------|------------------------|------|
| Operating position | normal allowable | Vertical plan Any | |
| Tightening torque for terminals | min | Nm | 0.6 |
| | max | Nm | 0.6 |
| | min | Ibin | 0.45 |
| | max | Ibin | 0.45 |
| Terminals tool | | Flat-blade screwdriver | |
| Conductor section | IEC | | |
| | min | mm ² | 0.5 |
| | max | mm ² | 2.5 |
| Weight | | g | 98 |
| Terminals IP degree | | | IP20 |

Dimensions



Wiring diagrams



ETIM classification

ETIM 8.0

EC001286 -
 Auxiliary device
 for distribution
 board devices