

MOTOR OPERATOR FOR MINIATURE CIRCUIT BREAKERS P1MB TYPE, RESIDUAL CURRENT OPERATED CIRCUIT BREAKERS P1RD TYPE, RESIDUAL CURRENT CIRCUIT BREAKERS WITH OVERCURRENT PROTECTION P1RE TYPE. FOR 1P AND 2P VERSIONS. CONTROL VOLTAGE 24VDC



Electrical features

Rated insulation voltage Ui IEC/EN	V	500
Rated operational voltage DC	VDC	24

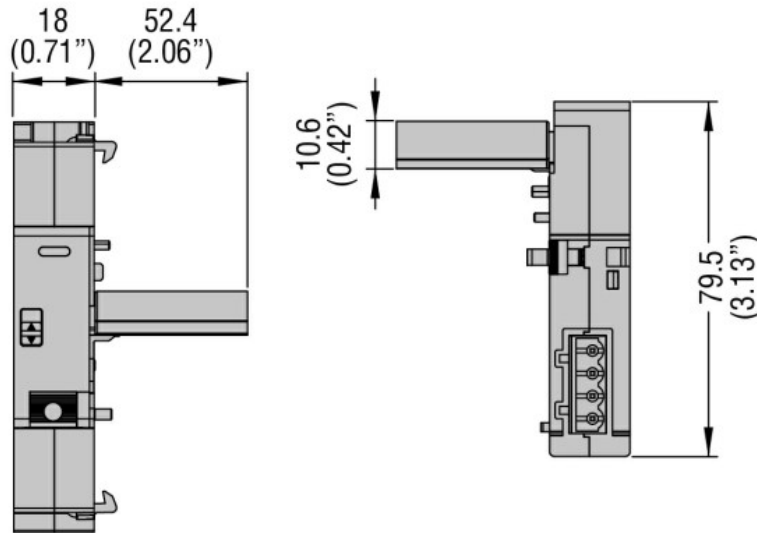
Ambient conditions

Operating temperature	min	°C	-5
	max	°C	+40
Storage temperature	min	°C	-40
	max	°C	+80
Max altitude	m	2000	
Relative humidity	%	90	

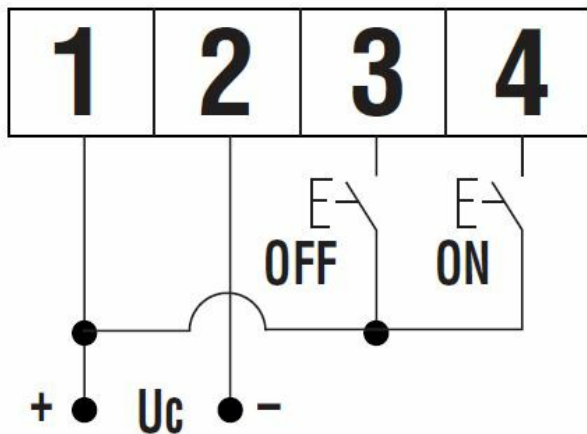
Mechanical features

Operating position	normal allowable	Vertical plan Any	
Tightening torque for terminals	min	Nm	0.6
	max	Nm	0.6
	min	Ibin	0.45
	max	Ibin	0.45
Terminals tool		Flat-blade screwdriver	
Conductor section	IEC		
	min	mm ²	0.5
	max	mm ²	2.5
Weight		g	98
Terminals IP degree			IP20

Dimensions



Wiring diagrams



ETIM classification

ETIM 8.0

EC001286 -
 Auxiliary device
 for distribution
 board devices