



Product designation

Undervoltage trip release

Product type designation

P1X14230

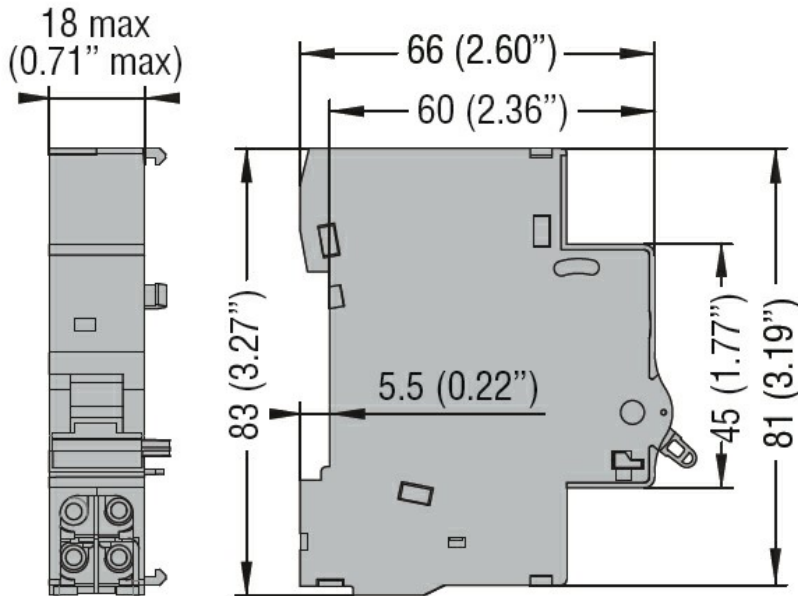
Electrical features

Rated impulse withstand voltage U_{imp}	kV	4
Rated operational voltage AC (IEC)	VAC	230
Rated frequency	Hz	50/60

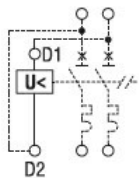
Mechanical features

Weight	g	70
--------	---	----

Dimensions



Wiring diagrams



Certifications and compliance

Compliance

IEC/EN 60947-5-1. UR "UL Recognized" per Canada e USA.

Certifications

EAC

ETIM classification

ETIM 8.0

EC001022 -
Under voltage
coil