



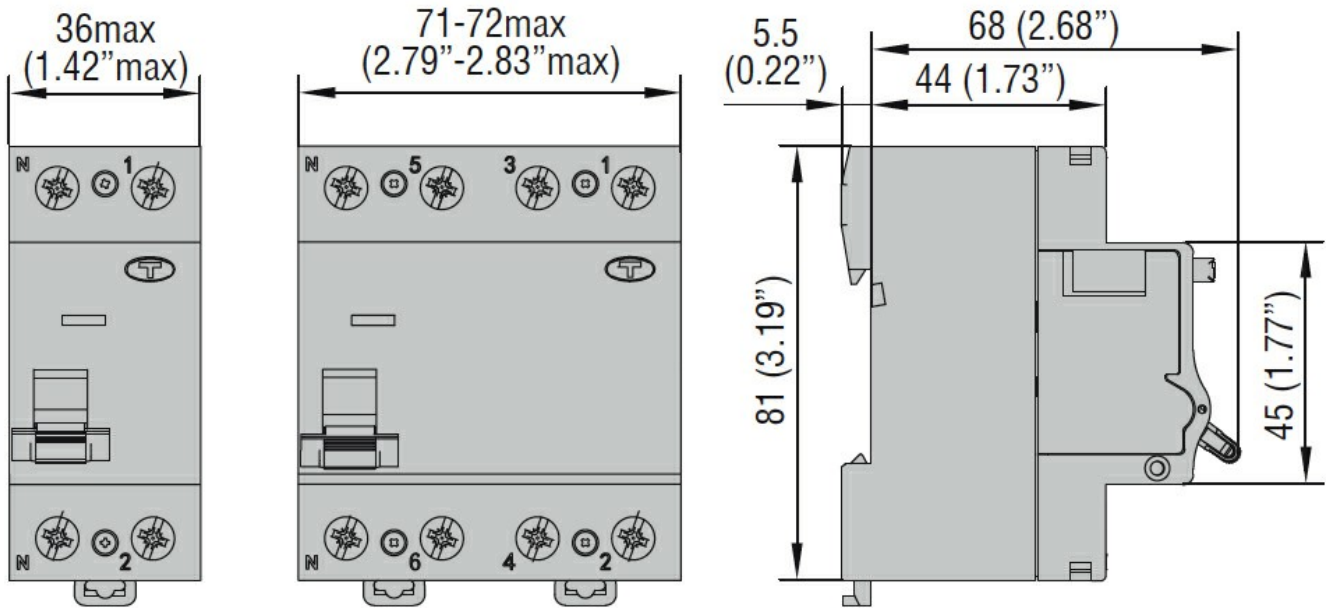
Product designation	Residual current circuit breakers (RCCB)
Product type designation	P1RD
Number of poles	4P
Number of DIN modules	4
Compliance	IEC

Electrical features			
Rated insulation voltage $U_i$ IEC/EN	V		400
Rated impulse withstand voltage $U_{imp}$	kV		4
Rated operational voltage AC (IEC)	VAC		230/400
Rated frequency	Hz		50/60
Rated current ( $I_n$ )	A		25
Residual operation characteristic			A
Rated residual current	mA		30
Short circuit rating (IEC)	kA		10
Rated conditional short-circuit current ( $I_{nc}$ )	kA		10
Electrical life	cycles		10000

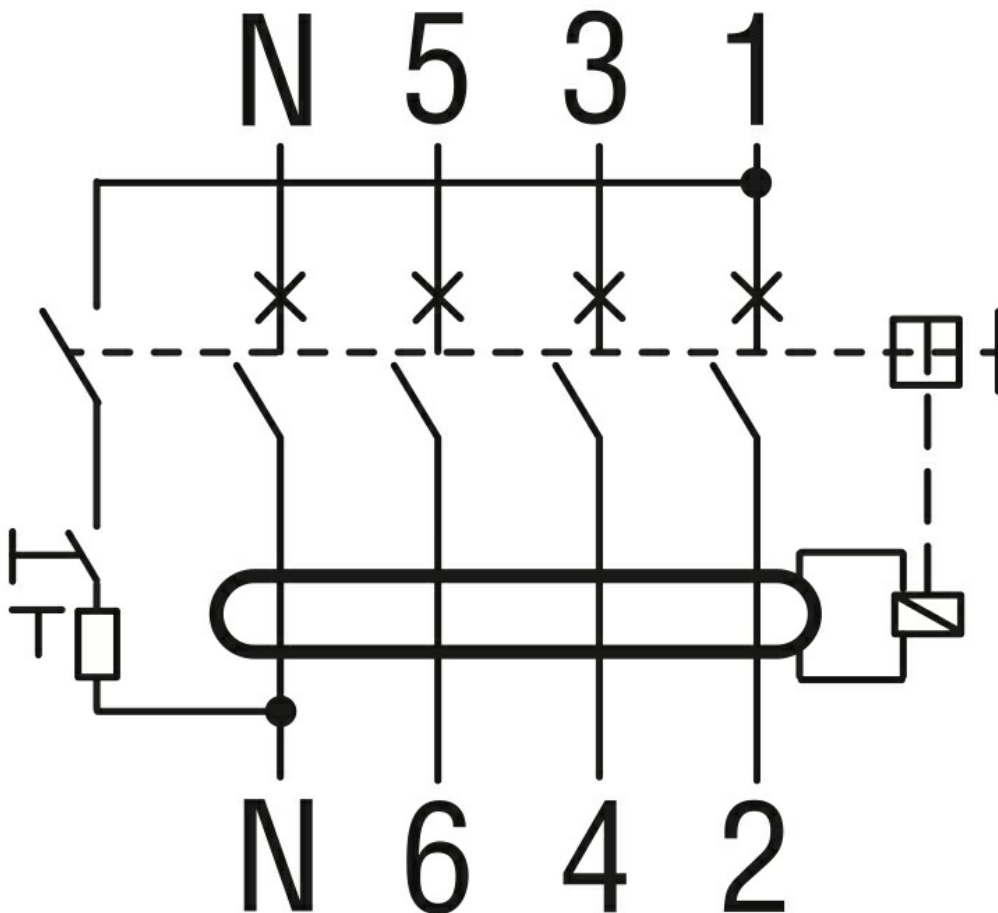
Ambient conditions			
Operating temperature	min	°C	-35
	max	°C	+70
Storage temperature	min	°C	-40
	max	°C	+80
Max altitude	m		2000

Mechanical features			
Operating position	normal		Vertical plan
			35mm DIN rail
Fixing			
Tightening torque for terminals	max	Nm	2
	max	Ibin	15
Terminals tool			Pz 2
Conductor section	IEC	min	mm <sup>2</sup> 2.5
		max	mm <sup>2</sup> 35
	AWG/Kcmil	min	14
		max	2
Mechanical life		cycles	20000
Weight		g	326
Frontal IP degree			IP20
Pollution degree			2

**Dimensions**



**Wiring diagrams**



**Certifications and compliance**

**Compliance**

IEC/EN/BS 61008-1

---

Certifications

EAC

TÜV-Rheinland

---

ETIM classification

ETIM 8.0

EC000003 -  
Residual current  
circuit breaker  
(RCCB)