



Residual current circuit breakers (RCCB) selective
P1RD
2P
2
IEC

Product designation

Product type designation

Number of poles

Number of DIN modules

Compliance

Electrical features

Rated insulation voltage U_i IEC/EN	V	400
Rated impulse withstand voltage U_{imp}	kV	4
Rated operational voltage AC (IEC)	VAC	230
Rated frequency	Hz	50/60
Rated current (I_n)	A	63
Residual operation characteristic		A selective
Time-delay tripping		Type S selective
Rated residual current	mA	300 - selective
Short circuit rating (IEC)	kA	10
Rated conditional short-circuit current (I_{nc})	kA	10
Electrical life	cycles	10000

Ambient conditions

Operating temperature

min	°C	-35
max	°C	+70

Storage temperature

min	°C	-40
max	°C	+80

Max altitude

m 2000

Mechanical features

Operating position

normal Vertical plan

Fixing

35mm DIN rail

Tightening torque for terminals

max	Nm	2
max	lbin	15

Terminals tool

Pz 2

Conductor section

IEC

min	mm ²	2.5
max	mm ²	35

AWG/Kcmil

min		14
max		2

Mechanical life

cycles 20000

Weight

g 185

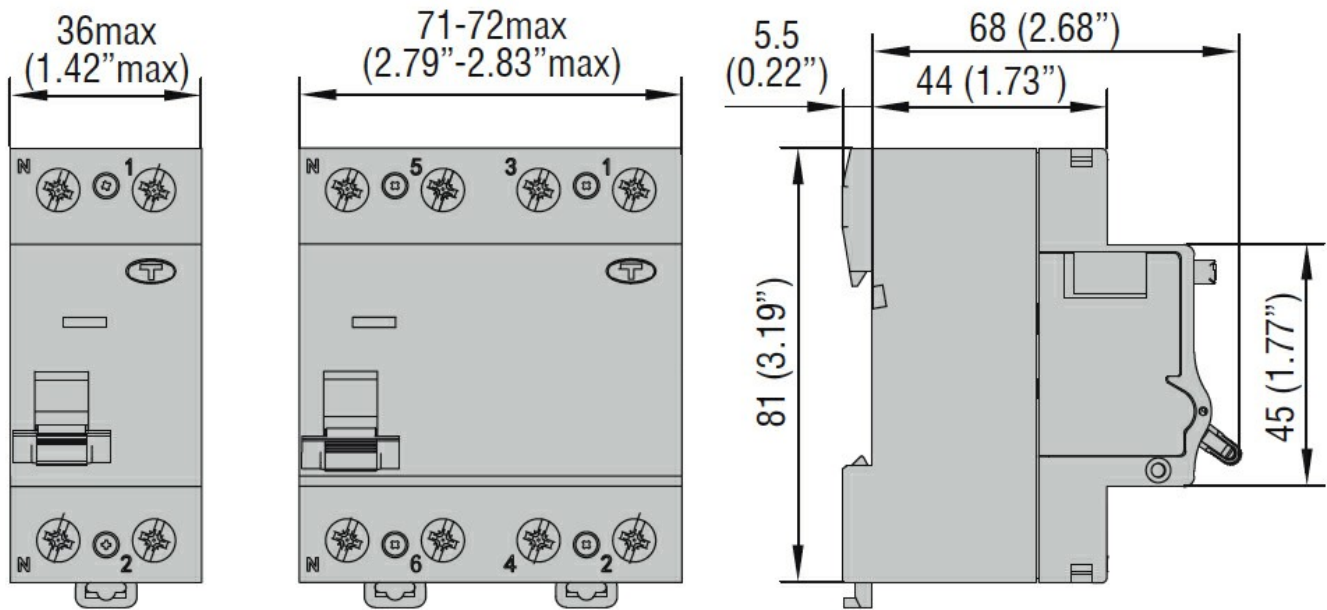
Frontal IP degree

IP20

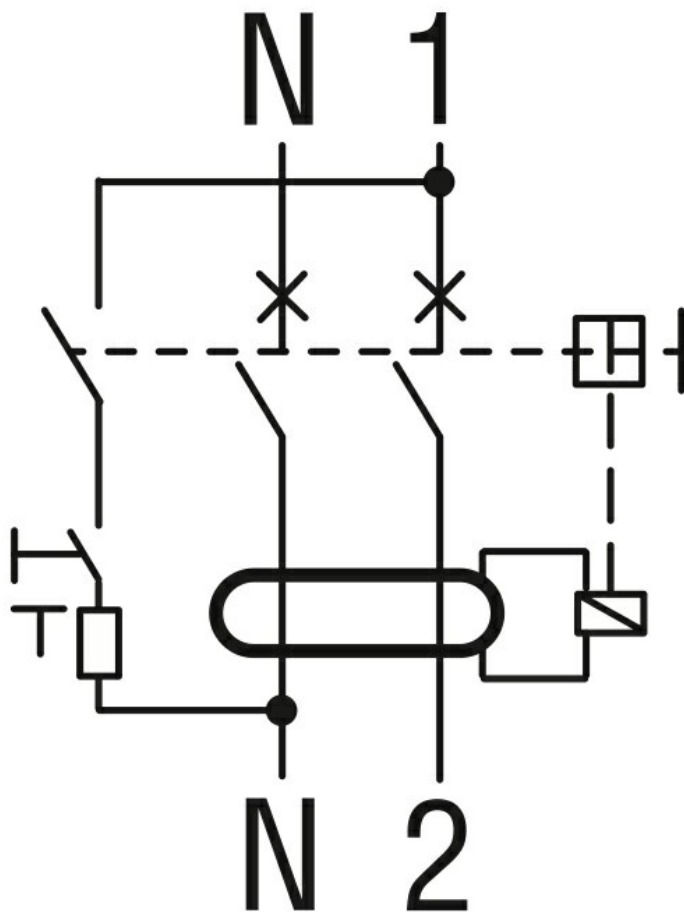
Pollution degree

2

Dimensions



Wiring diagrams



Certifications and compliance

Compliance

IEC/EN/BS 61008-1

IEC/EN/BS 61008-2-1

Certifications

EAC

TUV-Rheinland

ETIM classification

ETIM 8.0

EC000003 -
Residual current
circuit breaker
(RCCB)