



Residual current circuit breakers (RCCB)  
P1RD  
2P  
2  
IEC

Product designation

Product type designation

Number of poles

Number of DIN modules

Compliance

**Electrical features**

Rated insulation voltage $U_i$ IEC/EN	V	400
Rated impulse withstand voltage $U_{imp}$	kV	4
Rated operational voltage AC (IEC)	VAC	230
Rated frequency	Hz	50/60
Rated current ( $I_n$ )	A	25
Residual operation characteristic		A
Rated residual current	mA	30
Short circuit rating (IEC)	kA	10
Rated conditional short-circuit current ( $I_{nc}$ )	kA	10
Electrical life	cycles	10000

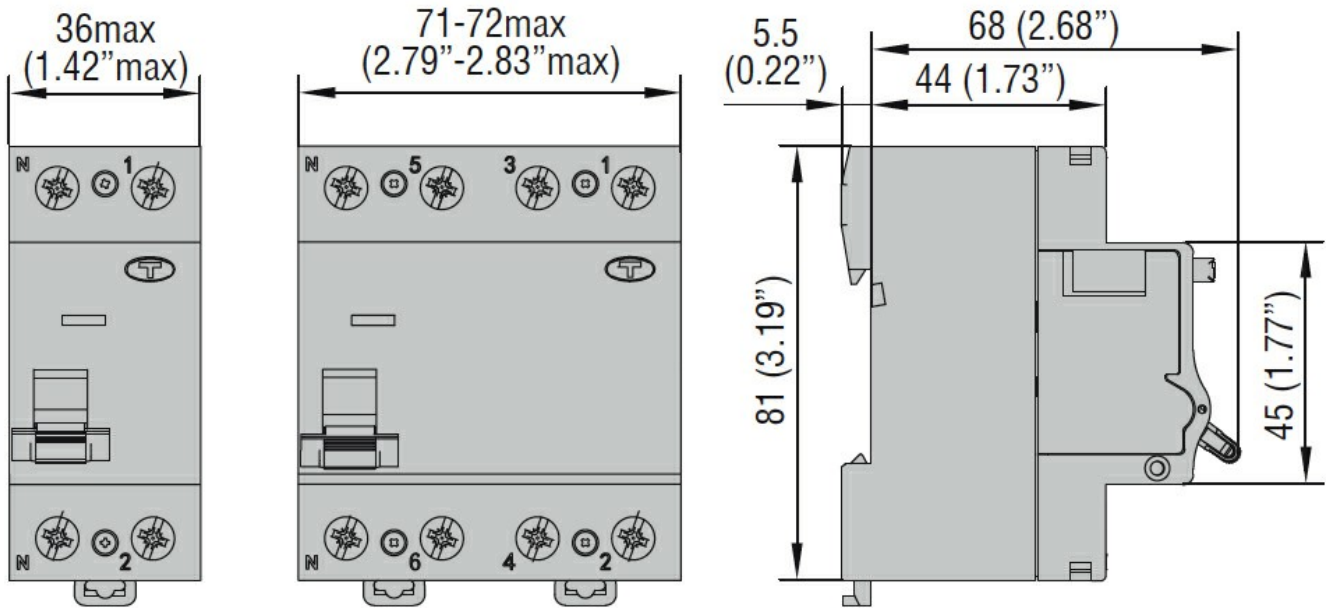
**Ambient conditions**

Operating temperature	min	°C	-35
	max	°C	+70
Storage temperature	min	°C	-40
	max	°C	+80
Max altitude	m	2000	

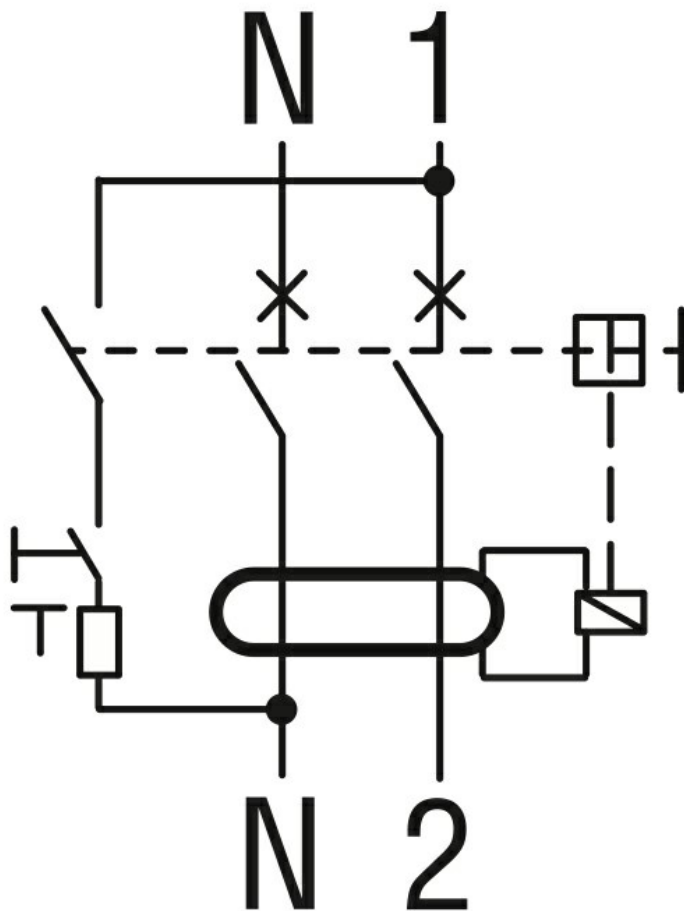
**Mechanical features**

Operating position	normal	Vertical plan		
		35mm DIN rail		
Fixing				
Tightening torque for terminals	max	Nm	2	
	max	Ibin	15	
Terminals tool		Pz 2		
Conductor section	IEC	min	mm <sup>2</sup>	2.5
		max	mm <sup>2</sup>	35
	AWG/Kcmil	min		14
		max		2
Mechanical life		cycles	20000	
Weight		g	185	
Frontal IP degree			IP20	
Pollution degree			2	

**Dimensions**



**Wiring diagrams**



**Certifications and compliance**

**Compliance**

IEC/EN/BS 61008-1

Certifications

EAC

TÜV-Rheinland

ETIM classification

ETIM 8.0

EC000003 -  
Residual current  
circuit breaker  
(RCCB)