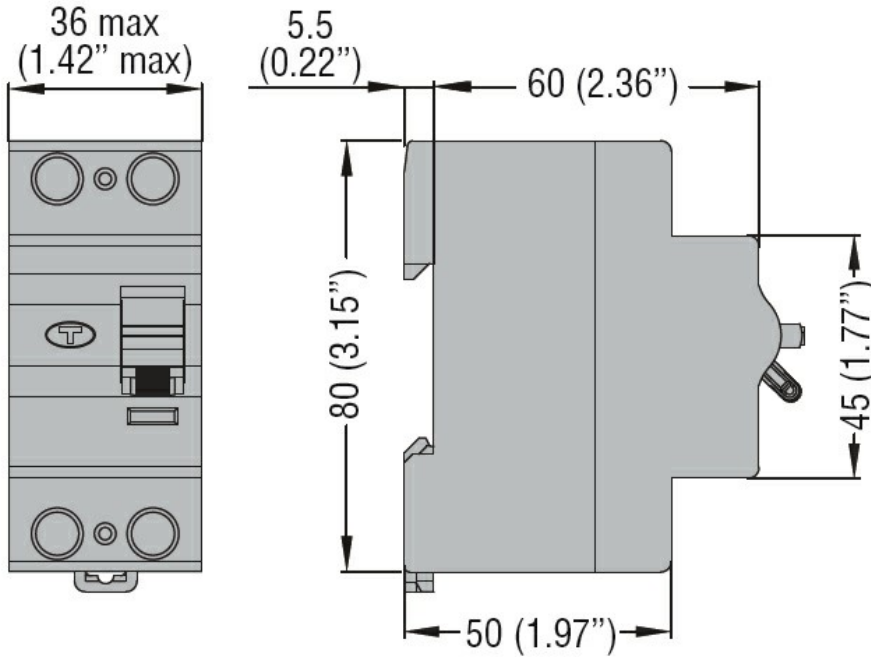




Product designation	Residual current circuit breakers (RCCB)		
Product type designation	P1 RC		
Number of poles	2P		
Number of DIN modules	2		
Compliance	IEC		
Electrical features			
Rated insulation voltage U_i IEC/EN	V	400	
Rated impulse withstand voltage U_{imp}	kV	4	
Rated operational voltage AC (IEC)	VAC	230	
Rated frequency	Hz	50/60	
Rated current (I_n)	A	25	
Residual operation characteristic	A		
Rated residual current	mA	300	
Rated conditional short-circuit current (I_{nc})	kA	10	
Power dissipation per pole max	W	0.5	
Ambient conditions			
Operating temperature	min	°C	-35
	max	°C	+70
Storage temperature	min	°C	-40
	max	°C	80
Max altitude	m	2000	
Mechanical features			
Operating position	normal		Vertical plan
			35mm DIN rail
Fixing	35mm DIN rail		
Tightening torque for terminals	min	Nm	1.8
	max	Nm	2
	min	Ibin	16
	max	Ibin	17.7
Terminals tool	Pz 2		
Conductor section	IEC		
	min	mm ²	2.5
	max	mm ²	35
	AWG/Kcmil		
min	14		
max	2		
Weight	g		185
Frontal IP degree	IP20		
Pollution degree	2		

Dimensions



Certifications and compliance

Compliance

IEC/EN/BS 61008-1

Certifications

EAC

TÜV-SUD

ETIM classification

ETIM 8.0

EC000003 -
 Residual current
 circuit breaker
 (RCCB)