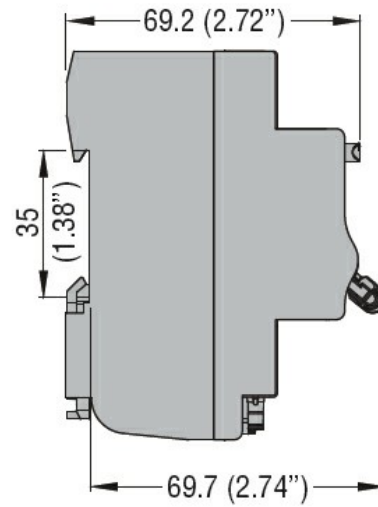
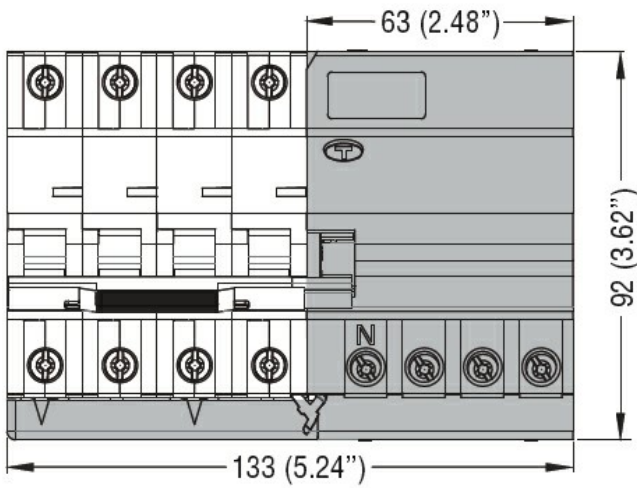




Product designation				Residual block add-on	
Product type designation				P1 RA	
Number of poles				4P	
Number of DIN modules				3.5	
Compliance				IEC	
Electrical features					
Rated insulation voltage Ui IEC/EN		V		400	
Rated impulse withstand voltage Uimp		kV		4	
Rated operational voltage AC (IEC)		VAC		230/400	
Rated frequency		Hz		50/60	
Rated current (In)		A		40	
Residual operation characteristic				A	
Rated residual current		mA		300	
Electrical life		cycles		10000	
Ambient conditions					
Operating temperature	min	°C		-25	
	max	°C		+60	
Storage temperature	min	°C		-40	
	max	°C		+80	
Max altitude		m		2000	
Mechanical features					
Operating position		normal		Vertical plan	
Fixing				35mm DIN rail	
Tightening torque for terminals	min	Nm		1.8	
	max	Nm		2	
	min	lbin		16	
	max	lbin		17.7	
Terminals tool				Pz 2	
Conductor section	IEC	min	mm ²	1	
		max	mm ²	16	
	AWG/Kcmil	min			14
		max			6
Mechanical life		cycles		20000	
Weight		g		230	
Frontal IP degree				IP20	
Pollution degree				2	
Dimensions					



Certifications and compliance

Compliance

IEC/EN 61009-1

Certifications

EAC

TÜV-SUD

ETIM classification

ETIM 8.0

EC002297 -
 Residual current
 circuit breaker
 (RCCB) module