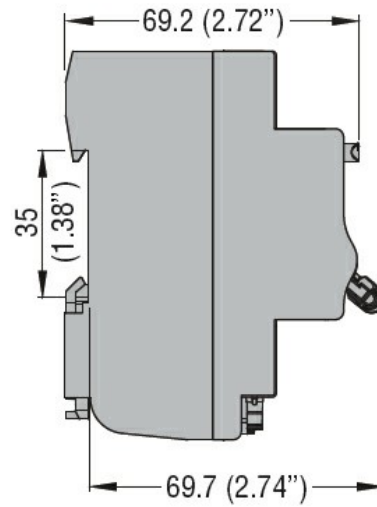
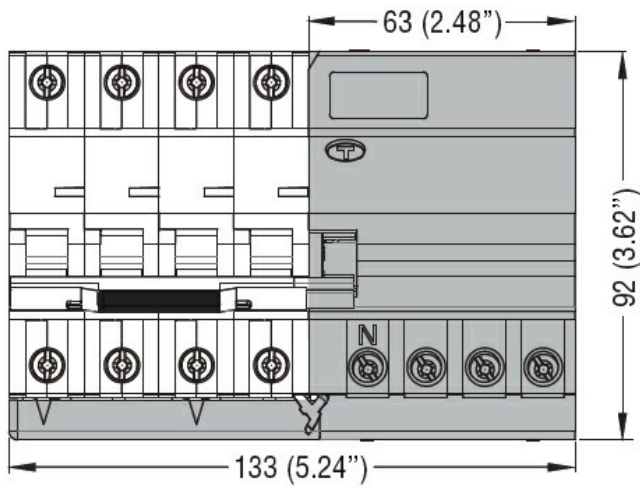




Product designation				Residual block add-on	
Product type designation				P1 RA	
Number of poles				4P	
Number of DIN modules				3.5	
Compliance				IEC	
<b>Electrical features</b>					
Rated insulation voltage Ui IEC/EN		V		400	
Rated impulse withstand voltage Uimp		kV		4	
Rated operational voltage AC (IEC)		VAC		230/400	
Rated frequency		Hz		50/60	
Rated current (In)		A		40	
Residual operation characteristic				A	
Rated residual current		mA		30	
Electrical life		cycles		10000	
<b>Ambient conditions</b>					
Operating temperature	min	°C		-25	
	max	°C		+60	
Storage temperature	min	°C		-40	
	max	°C		+80	
Max altitude		m		2000	
<b>Mechanical features</b>					
Operating position		normal		Vertical plan	
Fixing				35mm DIN rail	
Tightening torque for terminals	min	Nm		1.8	
	max	Nm		2	
	min	lbin		16	
	max	lbin		17.7	
Terminals tool				Pz 2	
Conductor section	IEC	min	mm <sup>2</sup>	1	
		max	mm <sup>2</sup>	16	
	AWG/Kcmil	min			14
		max			6
Mechanical life		cycles		20000	
Weight		g		230	
Frontal IP degree				IP20	
Pollution degree				2	
<b>Dimensions</b>					



**Certifications and compliance**

Compliance

IEC/EN 61009-1

Certifications

EAC

TÜV-SUD

**ETIM classification**

ETIM 8.0

EC002297 -  
 Residual current  
 circuit breaker  
 (RCCB) module