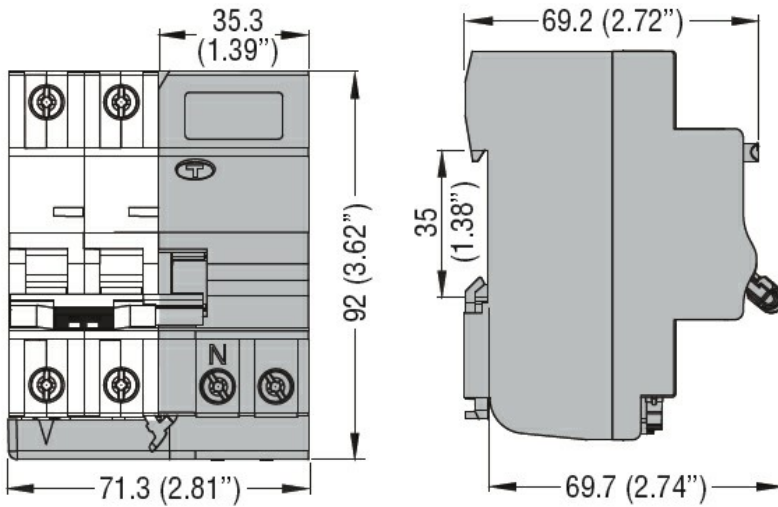




Product designation				Residual block add-on	
Product type designation				P1 RA	
Number of poles				2P	
Number of DIN modules				2	
Compliance				IEC	
Electrical features					
Rated insulation voltage U_i IEC/EN		V	400		
Rated impulse withstand voltage U_{imp}		kV	4		
Rated operational voltage AC (IEC)		VAC	230/400		
Rated frequency		Hz	50/60		
Rated current (I_n)		A	63		
Residual operation characteristic			A		
Rated residual current		mA	30		
Electrical life		cycles	10000		
Ambient conditions					
Operating temperature	min	°C	-25		
	max	°C	+60		
Storage temperature	min	°C	-40		
	max	°C	+80		
Max altitude		m	2000		
Mechanical features					
Operating position		normal	Vertical plan		
Fixing			35mm DIN rail		
Tightening torque for terminals	min	Nm	1.8		
	max	Nm	2		
	min	lbin	16		
	max	lbin	17.7		
Terminals tool			Pz 2		
Conductor section	IEC	min	mm ²	1	
		max	mm ²	16	
	AWG/Kcmil	min		14	
		max		6	
Mechanical life		cycles	20000		
Weight		g	160		
Frontal IP degree			IP20		
Pollution degree			2		
Dimensions					



Certifications and compliance

Compliance

IEC/EN 61009-1

Certifications

EAC

TÜV-SUD

ETIM classification

ETIM 8.0

EC002297 -
 Residual current
 circuit breaker
 (RCCB) module