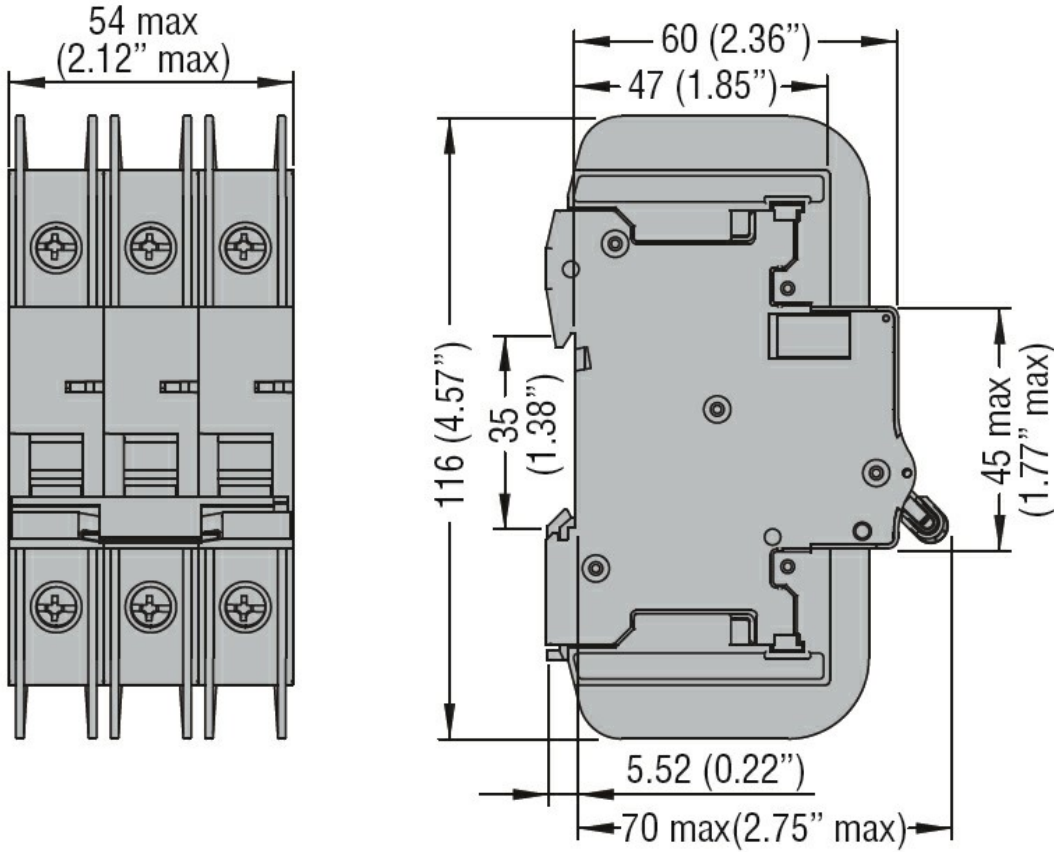




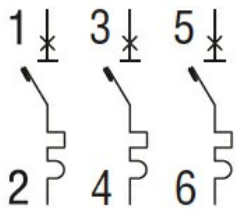
Product designation	Miniature circuit breaker (MCB)				
Product type designation	P1 MB				
Number of poles	3P				
Number of DIN modules	3				
Compliance	IEC / UL489				
<b>Electrical features</b>					
Rated insulation voltage $U_i$ IEC/EN	V	440			
Rated impulse withstand voltage $U_{imp}$	kV	4			
Rated operational voltage AC (IEC)	VAC	230/400			
Rated operational voltage AC (UL)	V	480Y/277			
Rated frequency	Hz	50/60			
Rated current ( $I_n$ )	A	16			
Tripping curve		D			
Short circuit rating (IEC)	kA	10			
Short circuit rating (UL)	kA	10			
Electrical life	cycles	10000			
Power dissipation per pole max	W	1.69			
<b>Ambient conditions</b>					
Operating temperature	min	°C	-40		
	max	°C	+70		
Storage temperature	min	°C	-40		
	max	°C	+80		
Max altitude	m	2000			
<b>Mechanical features</b>					
Operating position	normal	Vertical plan			
Fixing		35mm DIN rail			
Tightening torque for terminals	min	Nm	1.8		
	max	Nm	2		
	min	lbin	16		
	max	lbin	17.7		
Terminals tool		Pz 2			
Conductor section	IEC	min	mm <sup>2</sup>	1	
		max	mm <sup>2</sup>	35	
	AWG/Kcmil	min		14	
		max		6	
		Mechanical life		cycles	20000
		Weight		g	388

Frontal IP degree	IP20
Pollution degree	2

**Dimensions**



**Wiring diagrams**



**Certifications and compliance**

Compliance	IEC/EN 60947-2
	UL489
Certifications	cULus
	EAC

**ETIM classification**

ETIM 8.0	EC000042 - Miniature circuit breaker (MCB)
----------	--