



|                          |                                 |
|--------------------------|---------------------------------|
| Product designation      | Miniature circuit breaker (MCB) |
| Product type designation | P1 MB                           |
| Number of poles          | 3P                              |
| Number of DIN modules    | 3                               |
| Compliance               | IEC / UL1077                    |

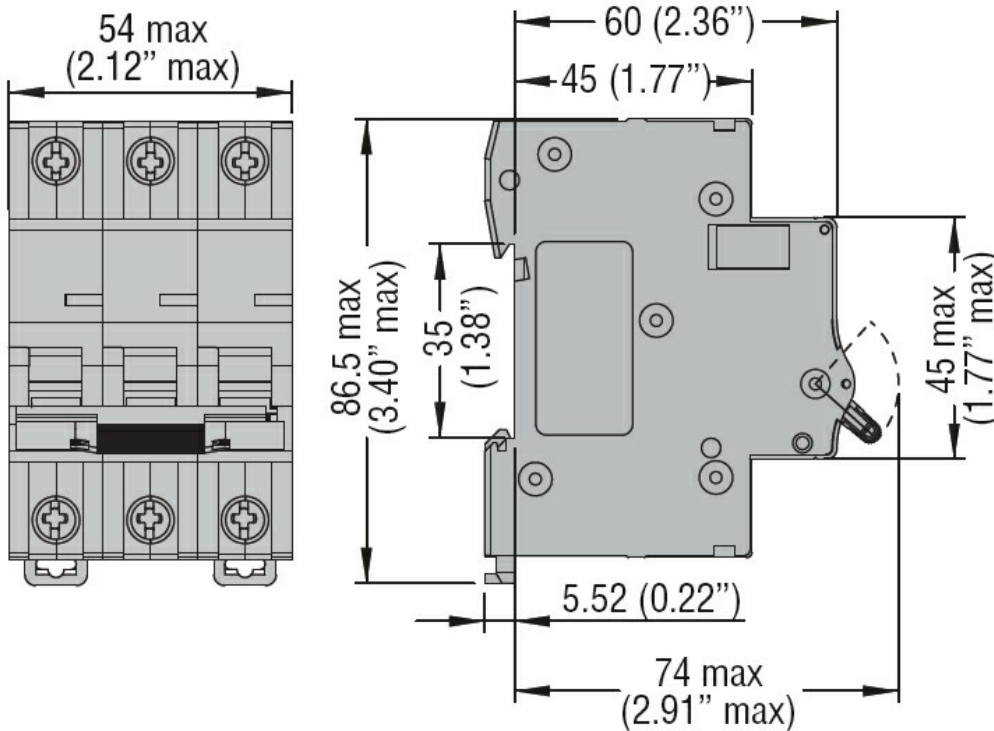
| Electrical features                       |        |  |         |
|---|--------|--|---------|
| Rated insulation voltage $U_i$ IEC/EN     | V      |  | 440     |
| Rated impulse withstand voltage $U_{imp}$ | kV     |  | 4       |
| Rated operational voltage AC (IEC)        | VAC    |  | 230/400 |
| Rated operational voltage DC              | VDC    |  | 80      |
| Rated frequency                           | Hz     |  | 50/60   |
| Rated current ( $I_n$ )                   | A      |  | 8       |
| Tripping curve                            |        |  | C       |
| Short circuit rating (IEC)                | kA     |  | 10      |
| Electrical life                           | cycles |  | 10000   |
| Power dissipation per pole max            | W      |  | 0.96    |

| Ambient conditions    |     |    |      |
|-----------------------|-----|----|------|
| Operating temperature | min | °C | -40  |
|                       | max | °C | +70  |
| Storage temperature   | min | °C | -40  |
|                       | max | °C | +80  |
| Max altitude          | m   |    | 2000 |

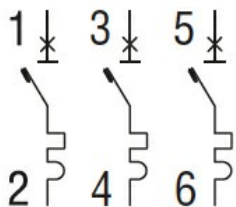
| Mechanical features             |                 |        |                    |       |
|---------------------------------|-----------------|--------|--------------------|-------|
| Operating position              |                 | normal | Vertical plan      |       |
| Fixing                          |                 |        | 35mm DIN rail      |       |
| Tightening torque for terminals | min             | Nm     | 1.8                |       |
|                                 | max             | Nm     | 2                  |       |
|                                 | min             | lbin   | 16                 |       |
|                                 | max             | lbin   | 17.7               |       |
| Terminals tool                  |                 |        | Pz 2               |       |
| Conductor section               | IEC             | min    | mm <sup>2</sup> 1  |       |
|                                 |                 | max    | mm <sup>2</sup> 35 |       |
|                                 | AWG/Kcmil       | min    | 14                 |       |
|                                 |                 | max    | 6                  |       |
|                                 | Mechanical life |        | cycles             | 20000 |
|                                 | Weight          |        | g                  | 345   |
| Frontal IP degree               |                 |        | IP20               |       |

|  |       |
|--|-------|
| Pollution degree   | 2     |
| Grid distance as per Annex H.1 of IEC/EN60898-1 standard | mm 60 |

**Dimensions**



**Wiring diagrams**



**Certifications and compliance**

Compliance

- CSA C22.2 n°235. UR "UL Recognized" per Canada e USA.
- IEC/EN 60898-1
- IEC/EN 60947-2
- UL 1077

Certifications

- cURus
- EAC
- TÜV-Rheinland

**ETIM classification**

ETIM 8.0

EC000042 -  
Miniature circuit  
breaker (MCB)