



Operator panel,
24VDC. RS232
and RS485
(Modbus-RTU
Master) ports
LRXP01
24VDC

Product designation

Product type designation

Auxiliary supply voltage

Power supply

Rated auxil. supply voltage

Operating voltage range

Power consumption Max

W

System resources

Display

Colors

Resolution

Touchscreen

Communications

Type of communication port

Connections

Terminals type

Tightening torque for terminals

max	Nm	1.8
Max	lbft	10.4

Conductor section

AWG/Kcmil

min		22
max		12

IEC

min	mm ²	0.4
max	mm ²	3.3

Ambient conditions

Temperature

Operating temperature

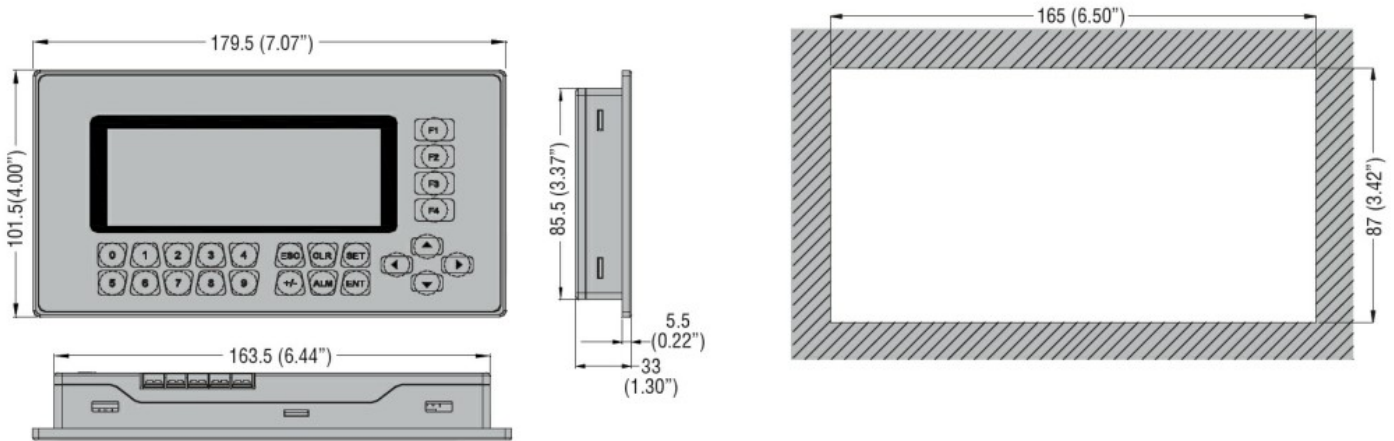
max	°C	+55
-----	----	-----

Storage temperature

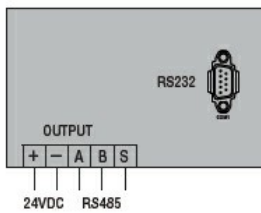
min	°C	-40
max	°C	+70

Relative humidity	%	10...95% without condensation
Maximum Pollution degree		2
Housing		
Degree of protection		IP65
Dimensions (W x H x D)	mm	179.5 x 101.5 x 33
Weight	g	200

Dimensions



Wiring diagrams



Certifications and compliance

Compliance

CSA C22.2 n° 142
IEC/EN 61131-2
UL508

Certificates

cULus
EAC

ETIM classification

ETIM 8.0

EC001412 -
Graphic panel