



Power supply unit
100...
240VAC/24VDC
1.3A
LRX1V3D024

Product designation

Product type designation

Power supply

Average current consumption

mA 1.3A

Housing

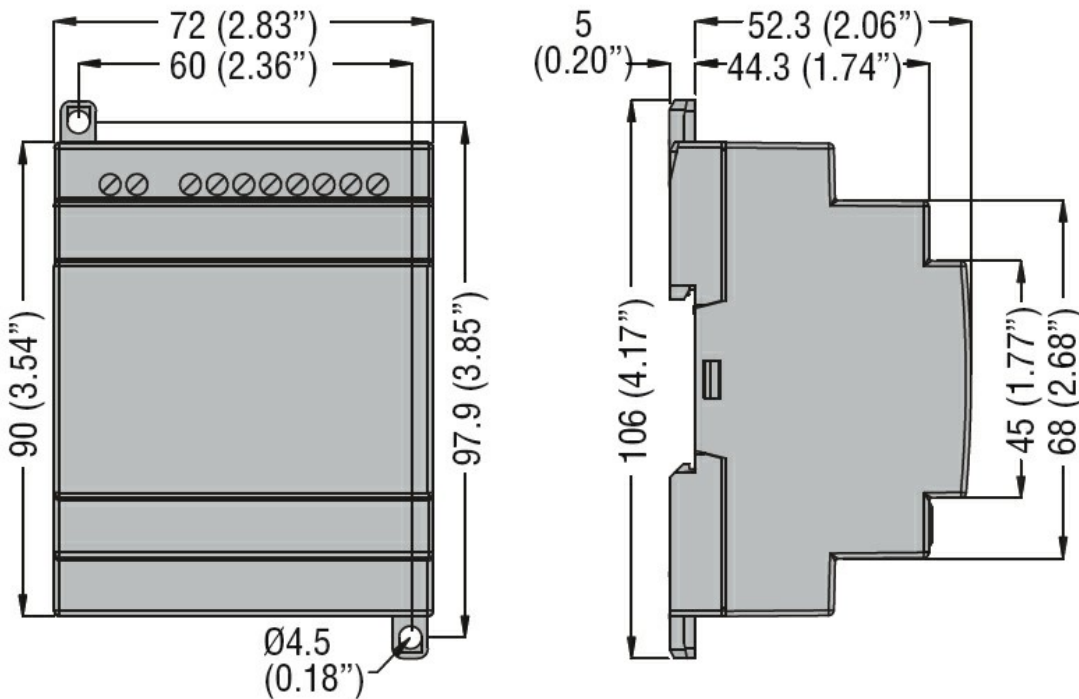
Dimensions (W x H x D)

mm 72 x 106 x 57.3

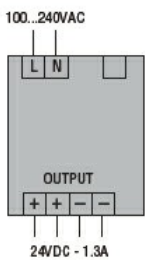
Weight

g 220

Dimensions



Wiring diagrams



Certifications and compliance

Compliance

CSA C22.2 n° 142

IEC/EN 61131-2

UL508

Certificates

cULus

EAC

ETIM classification

ETIM 8.0

EC002540 - DC-
power supply