



Product designation			Micro PLC - Base module with built-in Ethernet and RS485 ports
Product type designation			LRK20RD024RS
Auxiliary supply voltage			12/24VDC
Number of inputs	Nr.		8 digital + 4 digital/analog
Number of outputs	Nr.		8 relay
Max I/O number			20 (12 inputs + 8 outputs) up to 44 with LRE modules

Power supply

Rated auxil. supply voltage		12/24VDC
Operating voltage range		10.0...28.8VDC
Average current consumption	mA	400

Digital inputs

Number of digital input	Nr.	8 + 4 digital/analog
Rated voltage	V	12/24VDC
Input signals	State 0 (OFF) State 1 (ON)	<5VDC >10VDC

Response time	0 to 1 (OFF-ON) 1 to 0 (ON-OFF)	5ms (0.5ms for high speed) 3ms (0.3ms for high speed)
---------------	------------------------------------	--

Analog inputs

Number of analog input	Nr.	4 digital/analog
Analog input type		Voltage inputs
Inputs signal range	V	0...10
Resolution		0.01V
Bit of conversion	bit	12

Current consumption at	10VDC	mA	<0.17mA
------------------------	-------	----	---------

Input impedance		kΩ	>40
Admissible overload		VDC	28

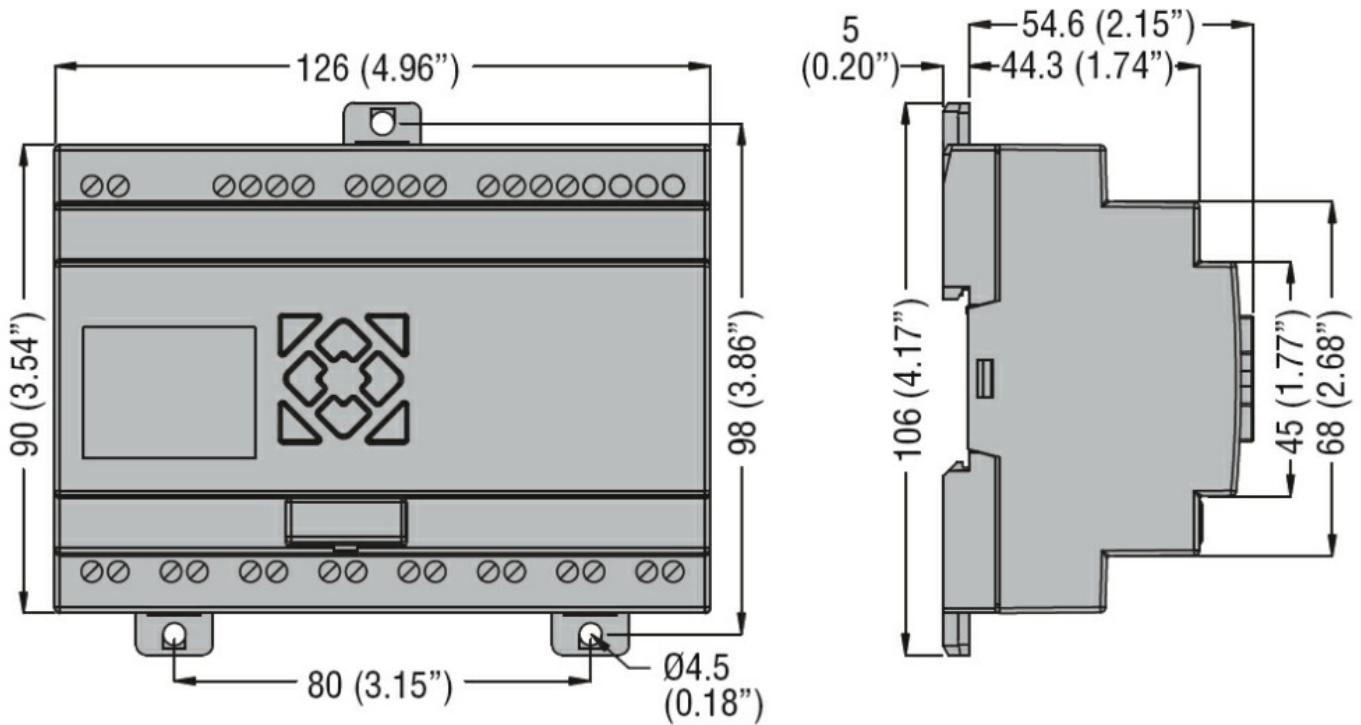
Maximum cable length		m / ft	≤30m/98ft (shielded wire)
----------------------	--	--------	---------------------------

Digital outputs

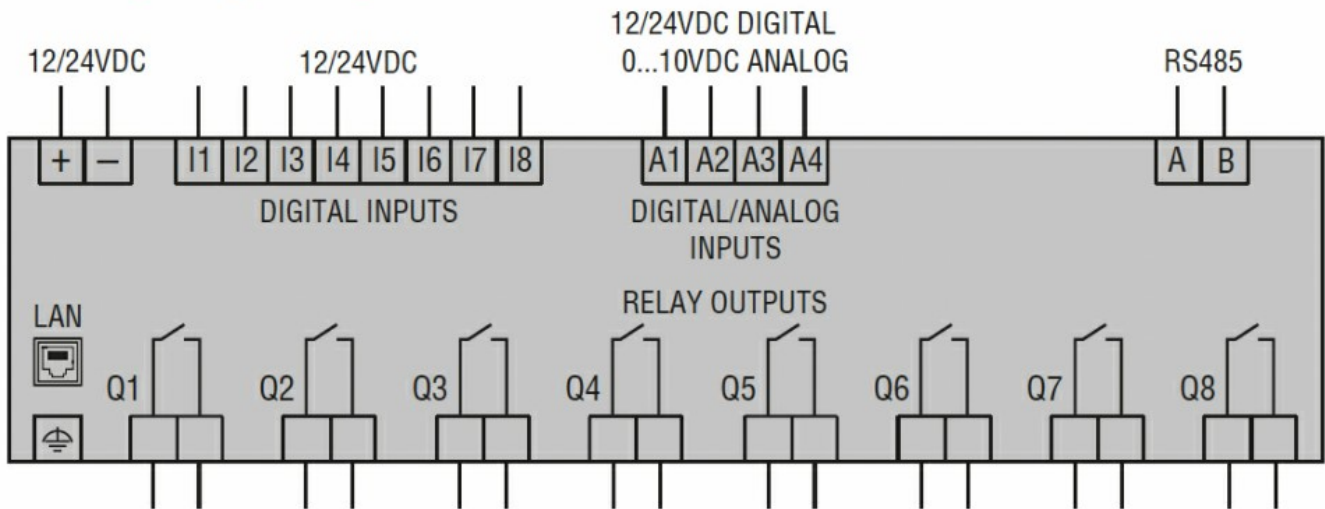
Number of digital output type	Nr.	8 Relay
-------------------------------	-----	---------

System resources

Display				LCD display, 4 lines x 16 characters
Real Time Clock				Yes
Communications				
Type of communication port				Ethernet + RS485
Connections				
Terminals type				Screw
Tightening torque for terminals			max	Nm 0.8
Conductor section				
	AWG/Kcmil			
		min	26	
		max	14	
	IEC			
		min	mm ²	0.14
		max	mm ²	2.5
Ambient conditions				
Temperature				
	Operating temperature			
		min	°C	-20
		max	°C	50
	Storage temperature			
		min	°C	-40
		max	°C	+70
Relative humidity			%	20...90% without condensation
Housing				
Mounting				35mm DIN rail or screw fixing (M4x20mm)
Degree of protection				IP20
Dimensions (W x H x D)			mm	126 x 106 x 59.6
Weight			g	340
Dimensions				



Wiring diagrams



Certifications and compliance

Compliance

CSA C22.2 No. 61010-1
CSA C22.2 No. 61010-2-201:18
IEC/EN/BS 61131-2
UL 61010-1
UL 61010-2-201

Certificates

cULus

ETIM classification

ETIM 8.0

EC001417 -
Logic module