



Product designation			
Product type designation			
Auxiliary supply voltage			
Number of inputs	Nr.		6 digital + 2 digital/analog
Number of outputs	Nr.		4 relay
Max I/O number			12 (8 inputs + 4 outputs) up to 36 with LRE modules

Power supply

Rated auxil. supply voltage		12/24VDC
Operating voltage range		10.0...28.8VDC
Average current consumption	mA	300

Digital inputs

Number of digital input	Nr.	6 + 2 digital/analog
Rated voltage	V	12/24VDC
Input signals		
	State 0 (OFF)	<5VDC
	State 1 (ON)	>10VDC

Response time		
	0 to 1 (OFF-ON)	5ms (0.5ms for high speed)
	1 to 0 (ON-OFF)	3ms (0.3ms for high speed)

Analog inputs

Number of analog input	Nr.	2 digital/analog
Analog input type		Voltage inputs
Inputs signal range	V	0...10
Resolution		0.01V
Bit of conversion	bit	12
Current consumption at		
	10VDC	mA <0.17mA
Input impedance		kΩ >40
Admissible overload	VDC	28
Maximum cable length	m / ft	≤30m/98ft (shielded wire)

Digital outputs

Number of digital output type	Nr.	4 Relay
-------------------------------	-----	---------

System resources

Display		No
---------	--	----

Real Time Clock Yes

Communications

Type of communication port Ethernet

Connections

Terminals type Screw

Tightening torque for terminals
max Nm 0.8

Conductor section
AWG/Kcmil
min 26
max 14

IEC
min mm² 0.14
max mm² 2.5

Ambient conditions

Temperature
Operating temperature
min °C -20
max °C 50

Storage temperature
min °C -40
max °C +70

Relative humidity % 20...90% without condensation

Housing

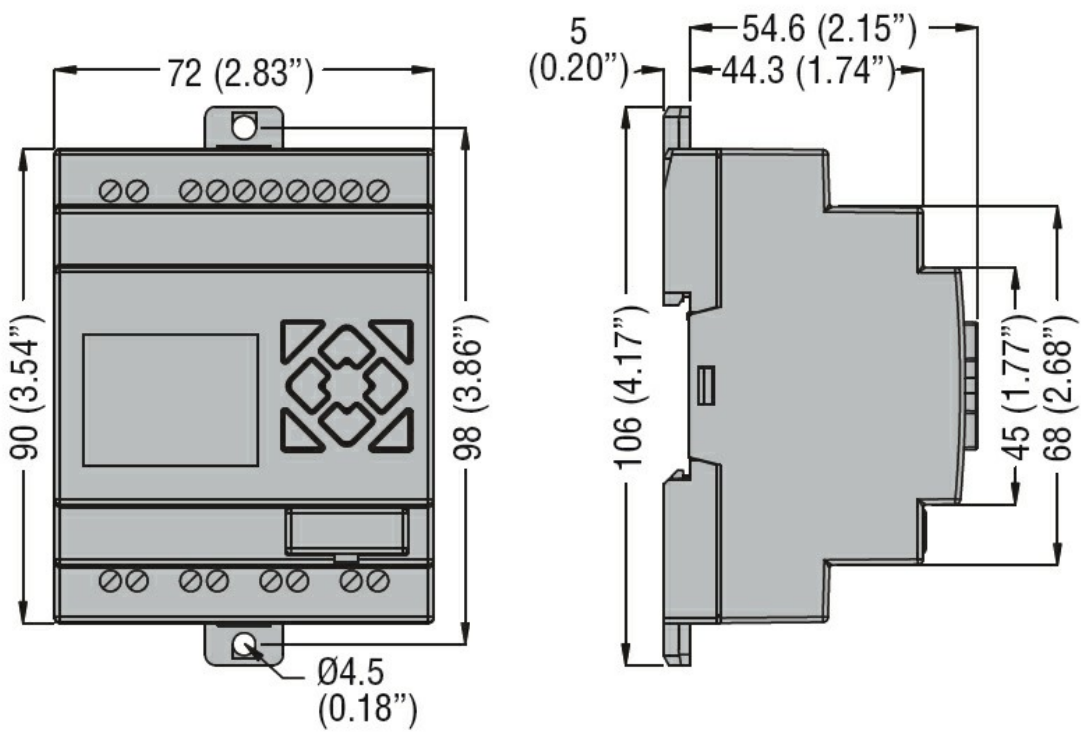
Mounting 35mm DIN rail or screw fixing (M4x20mm)

Degree of protection IP20

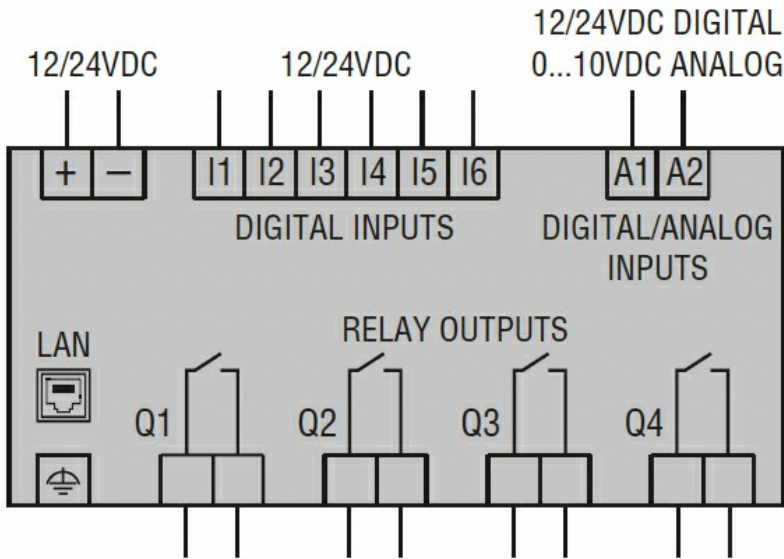
Dimensions (W x H x D) mm 72 x 106 x 59.6

Weight g 240

Dimensions



Wiring diagrams



Certifications and compliance

Compliance

CSA C22.2 No. 61010-1

CSA C22.2 No. 61010-2-201:18

IEC/EN/BS 61131-2

UL 61010-1

UL 61010-2-201

Certificates

cULus

ETIM classification

ETIM 8.0

EC001417 -
Logic module