



Product designation

Product type designation

Auxiliary supply voltage

Number of inputs

Number of outputs

Max I/O number

Micro PLC - Base module with built-in Ethernet port
LRK12RD024
12/24VDC
Nr. 6 digital + 2 digital/analog
Nr. 4 relay
12 (8 inputs + 4 outputs) up to 36 with LRE modules

Power supply

Rated auxil. supply voltage		12/24VDC
Operating voltage range		10.0...28.8VDC
Average current consumption	mA	300

Digital inputs

Number of digital input	Nr.	6 + 2 digital/analog
Rated voltage	V	12/24VDC
Input signals	State 0 (OFF) State 1 (ON)	<5VDC >10VDC

Response time

0 to 1 (OFF-ON)	5ms (0.5ms for high speed)
1 to 0 (ON-OFF)	3ms (0.3ms for high speed)

Analog inputs

Number of analog input	Nr.	2 digital/analog
Analog input type		Voltage inputs
Inputs signal range	V	0...10
Resolution		0.01V
Bit of conversion	bit	12

Current consumption at

10VDC	mA	<0.17mA
-------	----	---------

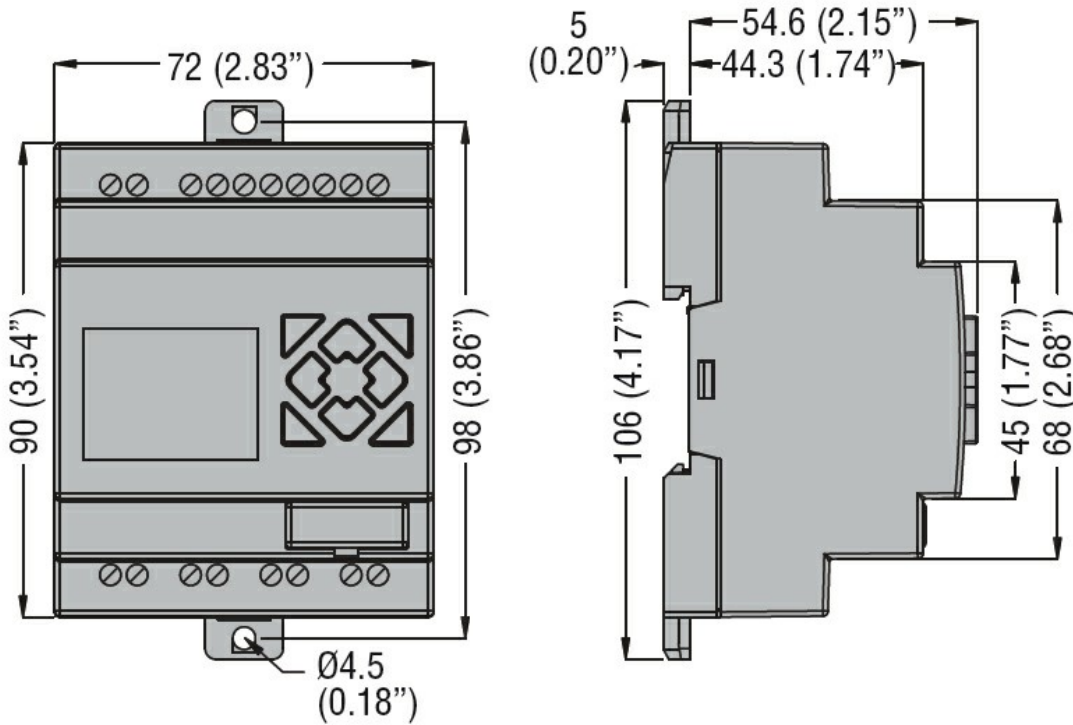
Input impedance	kΩ	>40
Admissible overload	VDC	28
Maximum cable length	m / ft	≤30m/98ft (shielded wire)

Digital outputs

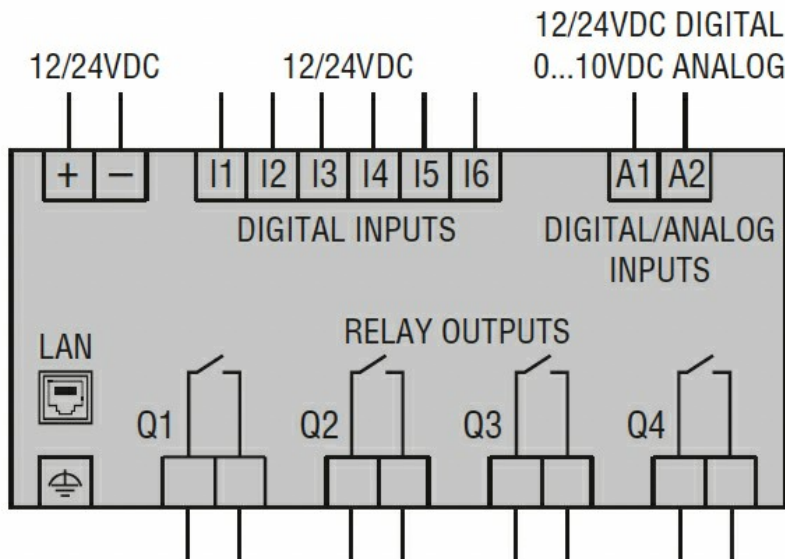
Number of digital output type	Nr.	4 Relay
-------------------------------	-----	---------

System resources

Display				LCD display, 4 lines x 16 characters
Real Time Clock				Yes
Communications				
Type of communication port				Ethernet
Connections				
Terminals type				Screw
Tightening torque for terminals		max	Nm	0.8
Conductor section				
	AWG/Kcmil	min		26
		max		14
	IEC	min	mm ²	0.14
		max	mm ²	2.5
Ambient conditions				
Temperature				
	Operating temperature	min	°C	-20
		max	°C	50
	Storage temperature	min	°C	-40
		max	°C	+70
Relative humidity			%	20...90% without condensation
Housing				
Mounting				35mm DIN rail or screw fixing (M4x20mm)
Degree of protection				IP20
Dimensions (W x H x D)			mm	72 x 106 x 59.6
Weight			g	240
Dimensions				



Wiring diagrams



Certifications and compliance

Compliance

- CSA C22.2 No. 61010-1
- CSA C22.2 No. 61010-2-201:18
- IEC/EN/BS 61131-2
- UL 61010-1
- UL 61010-2-201

Certificates

cULus

ETIM classification

ETIM 8.0

EC001417 -
Logic module