



Product designation

Product type designation

Auxiliary supply voltage

Number of inputs

Number of outputs

Max I/O number

Micro PLC - Base module with built-in Ethernet port  
LRK10RA240  
100...240VAC  
Nr. 6 digital  
Nr. 4 relay  
10 (6 inputs + 4 outputs) up to 34 with LRE modules

#### Power supply

Rated auxil. supply voltage		100...240VAC
Operating voltage range		85...265VAC
Rated frequency	Hz	50/60
Operating frequency range	Hz	47...63
Average current consumption	mA	90

#### Digital inputs

Number of digital input	Nr.	6
Rated voltage	V	100-240VAC (50/60Hz)
Input signals	State 0 (OFF) State 1 (ON)	<40VAC >79VAC

Response time

0 to 1 (OFF-ON)	50/45ms (Ue=120VAC); 22/18ms (Ue=240VAC)
1 to 0 (ON-OFF)	50/45ms (Ue=120VAC); 90/85ms (Ue=240VAC)

#### Digital outputs

Number of digital output type	Nr.	4 Relay
-------------------------------	-----	------------

#### System resources

Display

LCD display, 4 lines x 16 characters

Real Time Clock

Yes

#### Communications

Type of communication port

Ethernet

#### Connections

Terminals type

Screw

Tightening torque for terminals

max Nm 0.8

Conductor section

AWG/Kcmil

min 26  
max 14

IEC

min mm<sup>2</sup> 0.14  
max mm<sup>2</sup> 2.5

Ambient conditions

Temperature

Operating temperature

min °C -20  
max °C 50

Storage temperature

min °C -40  
max °C +70

Relative humidity

% 20...90% without condensation

Housing

Mounting

35mm DIN rail or screw fixing (M4x20mm)

Degree of protection

IP20

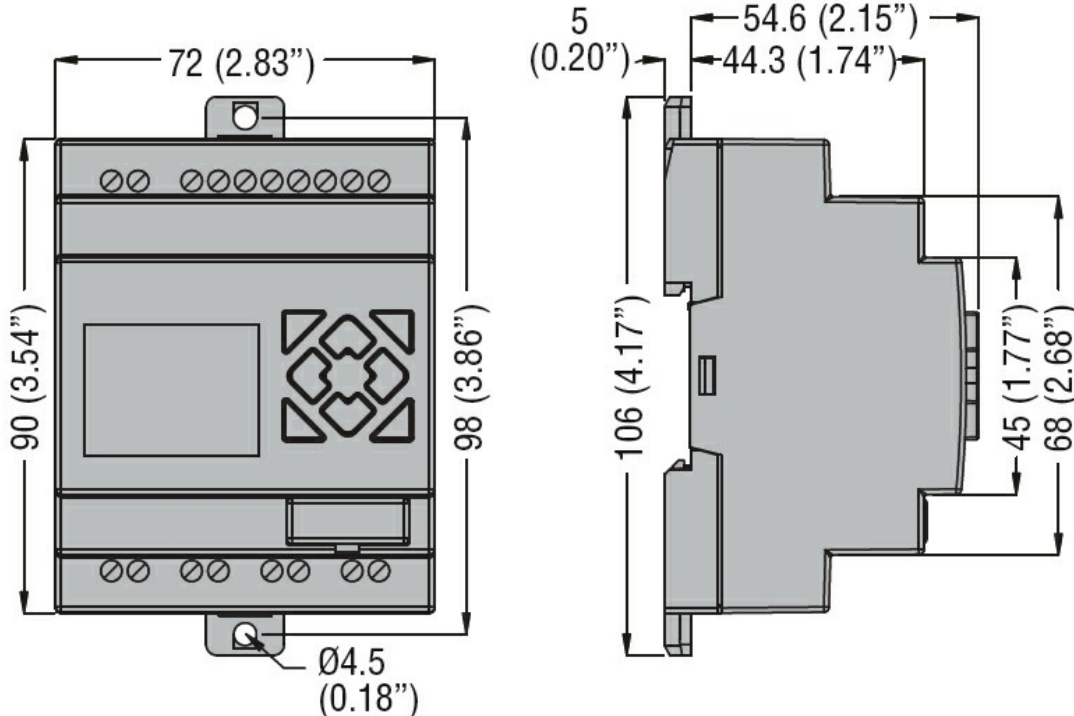
Dimensions (W x H x D)

mm 72 x 106 x 59.6

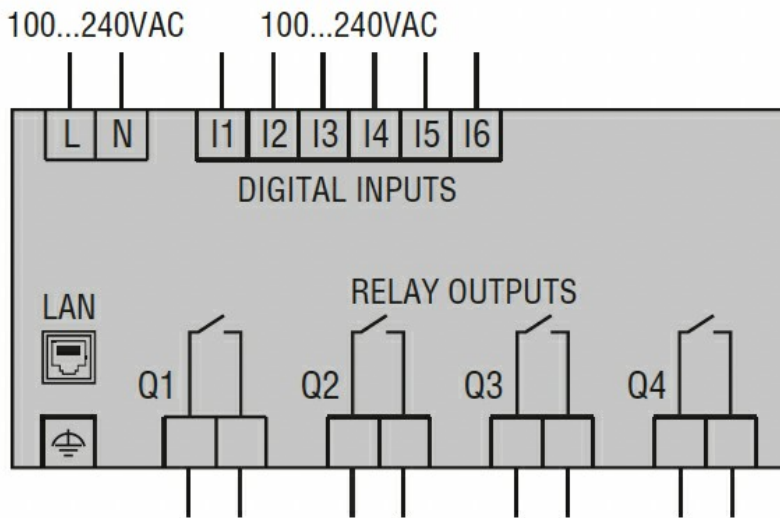
Weight

g 240

Dimensions



Wiring diagrams



### Certifications and compliance

#### Compliance

IEC/EN/BS 61131-2

#### ETIM classification

ETIM 8.0

EC001417 -  
Logic module