



Micro PLC expansion module, 4 analog inputs 0...10VDC/0...20mA
LRE04AD024
24VDC
Nr. 4 analog

Product designation

Product type designation

Auxiliary supply voltage

Number of inputs

Nr. 4 analog

Power supply

Rated auxil. supply voltage

24VDC

Operating voltage range

20.4...28.8VDC

Average current consumption

mA 70

Analog inputs

Number of analog input

Nr. 4

Analog input type

Configurable voltage or current inputs

Inputs signal range

V 0...10VDC 0/4...20mA

Resolution

Voltage inputs: 10mV Current inputs: 40µA

Connections

Terminals type

Screw

Ambient conditions

Temperature

Operating temperature

min °C -20
max °C +55

Storage temperature

min °C -40
max °C +70

Relative humidity

% <90% (non condensing)

Housing

Mounting

35mm DIN rail or screw fixing (M4x15mm)

Degree of protection

IP20

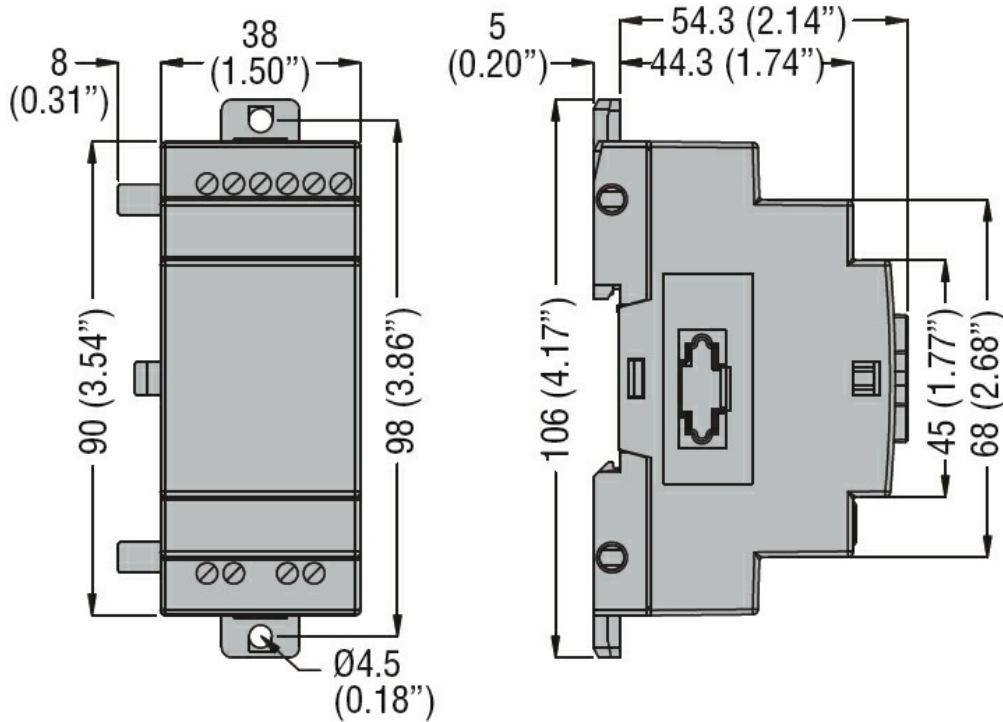
Dimensions (W x H x D)

mm 38 x 106 x 59.3

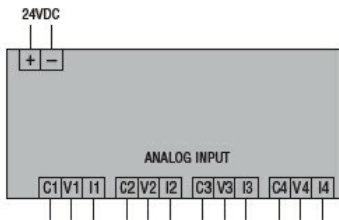
Weight

g 160

Dimensions



Wiring diagrams



Certifications and compliance

Compliance

CSA C22.2 n° 142

IEC/EN 61131-2

UL508

Certificates

cULus

EAC

ETIM classification

ETIM 8.0

EC001420 - PLC
analogue I/O-
module