



Product designation

Product type designation

Auxiliary supply voltage

Number of inputs

Number of outputs

Max I/O number

Starter kit complete with LRD12RA024 base module, LRXSW software and LRXC03 cable
LRDKIT12RA024
24VAC
Nr. 8 digital
Nr. 4 relay
12 (8 inputs + 4 outputs) up to 36 with LRE modules

Power supply

Rated auxil. supply voltage		24VAC
Operating voltage range		20.4...28.8VAC
Operating frequency range	Hz	47...63
Average current consumption	mA	290
Power consumption Max	W	7

Digital inputs

Number of digital input	Nr.	8
Rated voltage	V	24VAC (50/60Hz)
Input signals	State 0 (OFF) State 1 (ON)	<6VAC >14VAC

Response time

0 to 1 (OFF-ON)	90ms
1 to 0 (ON-OFF)	90ms

Digital outputs

Number of digital output type	Nr.	4
		Relay

System resources

Display

LCD display, 4 lines x 16 characters

Connections

Terminals type		Screw
Tightening torque for terminals	max Max	Nm lbft
		0.6 0.4

Conductor section

AWG/Kcmil

min	26
max	14

IEC

min	mm ²	0.14
max	mm ²	2.5

Ambient conditions

Temperature

Operating temperature

min	°C	-20
max	°C	+55

Storage temperature

min	°C	-40
max	°C	+70

Relative humidity

%	20...90% without condensation
---	-------------------------------

Housing

Mounting

35mm DIN rail or screw fixing (M4x20mm)

Degree of protection

IP20

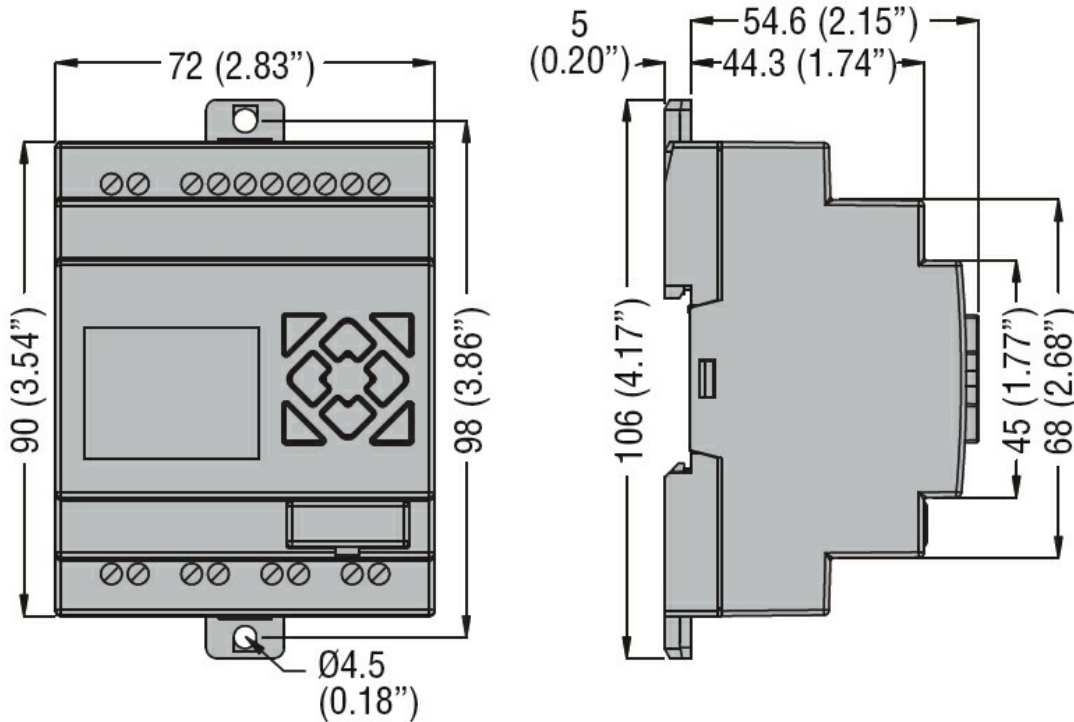
Dimensions (W x H x D)

mm	72 x 106 x 59.6
----	-----------------

Weight

g	424
---	-----

Dimensions



Certifications and compliance

Compliance

CSA C22.2 n° 142

IEC/EN 61131-2

UL508

Certificates

cULus

EAC

ETIM classification

ETIM 8.0

EC002581 - PLC device set