



Product designation

Product type designation

Auxiliary supply voltage

Number of inputs

Number of outputs

Max I/O number

Starter kit complete with LRD12RA240 base module, LRXSW software and LRXC03 cable
LRDKIT10RA240
100...240VAC
Nr. 6 digital
Nr. 4 relay
10 (6 inputs + 4 outputs) up to 34 with LRE modules

Power supply

Rated auxil. supply voltage		100...240VAC
Operating voltage range		85...265VAC
Operating frequency range	Hz	47...63
Average current consumption	mA	100
Power consumption Max	W	7.5

Digital inputs

Number of digital input	Nr.	6
Rated voltage	V	100-240VAC (50/60Hz)
Input signals	State 0 (OFF) State 1 (ON)	<40VAC >79VAC

Response time

0 to 1 (OFF-ON)	50/45ms (Ue=120VAC); 22/18ms (Ue=240VAC)
1 to 0 (ON-OFF)	50/45ms (Ue=120VAC); 90/85ms (Ue=240VAC)

Digital outputs

Number of digital output type	Nr.	4 Relay
-------------------------------	-----	------------

System resources

Display	LCD display, 4 lines x 16 characters
---------	--------------------------------------

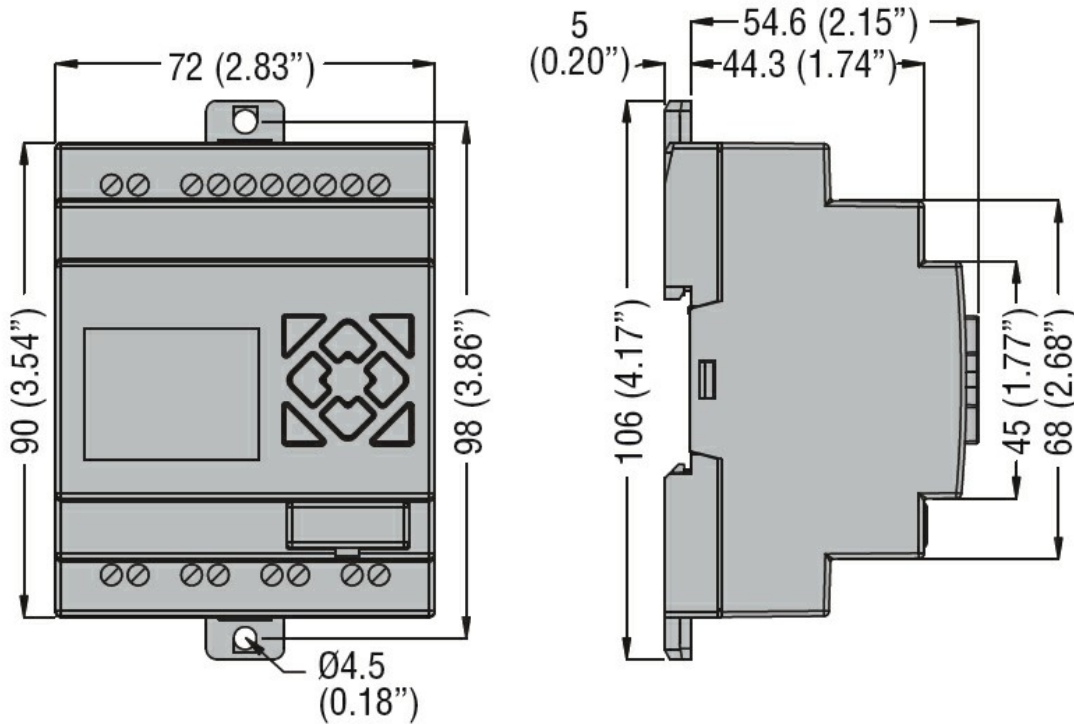
Connections

Terminals type	Screw
Tightening torque for terminals	

		max	Nm	0.6
		Max	lbft	0.4
Conductor section	AWG/Kcmil	min		26
		max		14
	IEC	min	mm ²	0.14
		max	mm ²	2.5
Ambient conditions				
Temperature	Operating temperature	min	°C	-20
		max	°C	+55
	Storage temperature	min	°C	-40
		max	°C	+70
Relative humidity			%	20...90% without condensation

Housing				
Mounting				35mm DIN rail or screw fixing (M4x20mm)
Degree of protection				IP20
Dimensions (W x H x D)		mm		72 x 106 x 59.6
Weight			g	424

Dimensions



Certifications and compliance

Compliance	CSA C22.2 n° 142
	IEC/EN 61131-2
	UL508

Certificates

cULus

EAC

ETIM classification

ETIM 8.0

EC002581 - PLC
device set