



| | | |
|--------------------------|-----|--|
| Product designation | | Micro PLC - Base module |
| Product type designation | | LRD20RD024 |
| Auxiliary supply voltage | | 24VDC |
| Number of inputs | Nr. | 8 digital + 4 digital/analog |
| Number of outputs | Nr. | 8 relay |
| Max I/O number | | 20 (12 inputs + 8 outputs) up to 44 with LRE modules |

| Power supply | | |
|-----------------------------|----|----------------|
| Rated auxil. supply voltage | | 24VDC |
| Operating voltage range | | 20.4...28.8VDC |
| Average current consumption | mA | 185 |
| Power consumption Max | W | 5 |

| Digital inputs | | |
|-------------------------|------------------------------------|--|
| Number of digital input | Nr. | 8 + 4 digital/analog |
| Rated voltage | V | 24VDC |
| Input signals | State 0 (OFF) State 1 (ON) | <5VDC >15VDC |
| Response time | 0 to 1 (OFF-ON) 1 to 0 (ON-OFF) | 4ms (0.5ms for high speed) 4ms (0.3ms for high speed) |

| Analog inputs | | |
|------------------------|--------|-------------------------------------|
| Number of analog input | Nr. | 4 digital/analog |
| Analog input type | | Voltage inputs |
| Inputs signal range | V | 0...10 |
| Resolution | | 0.01V |
| Bit of conversion | bit | 8 |
| Current consumption at | 10VDC | mA <0.17mA |
| Input impedance | | kΩ >40 |
| Admissible overload | VDC | 28 |
| Sampling time | ms | 5...20ms(LADDER), 2...10ms (FBD) |
| Maximum cable length | m / ft | ≤30m/98ft (shielded wire) |

| Digital outputs | | |
|-------------------------------|-----|---------|
| Number of digital output type | Nr. | 8 Relay |

System resources

| | |
|---------|--------------------------------------|
| Display | LCD display, 4 lines x 16 characters |
|---------|--------------------------------------|

Connections

| | |
|----------------|-------|
| Terminals type | Screw |
|----------------|-------|

| | | | |
|---------------------------------|-----|------|-----|
| Tightening torque for terminals | max | Nm | 0.6 |
| | Max | lbft | 0.4 |

| | | | |
|-------------------|-----------|-----|----|
| Conductor section | AWG/Kcmil | min | 26 |
| | | max | 14 |

| | | | |
|-----|-----|-----------------|------|
| IEC | min | mm ² | 0.14 |
| | max | mm ² | 2.5 |

Ambient conditions

| | | | | |
|-------------|-----------------------|-----|----|-----|
| Temperature | Operating temperature | min | °C | -20 |
| | | max | °C | +55 |

| | | | |
|---------------------|-----|----|-----|
| Storage temperature | min | °C | -40 |
| | max | °C | +70 |

| | | |
|-------------------|---|-------------------------------|
| Relative humidity | % | 20...90% without condensation |
|-------------------|---|-------------------------------|

Housing

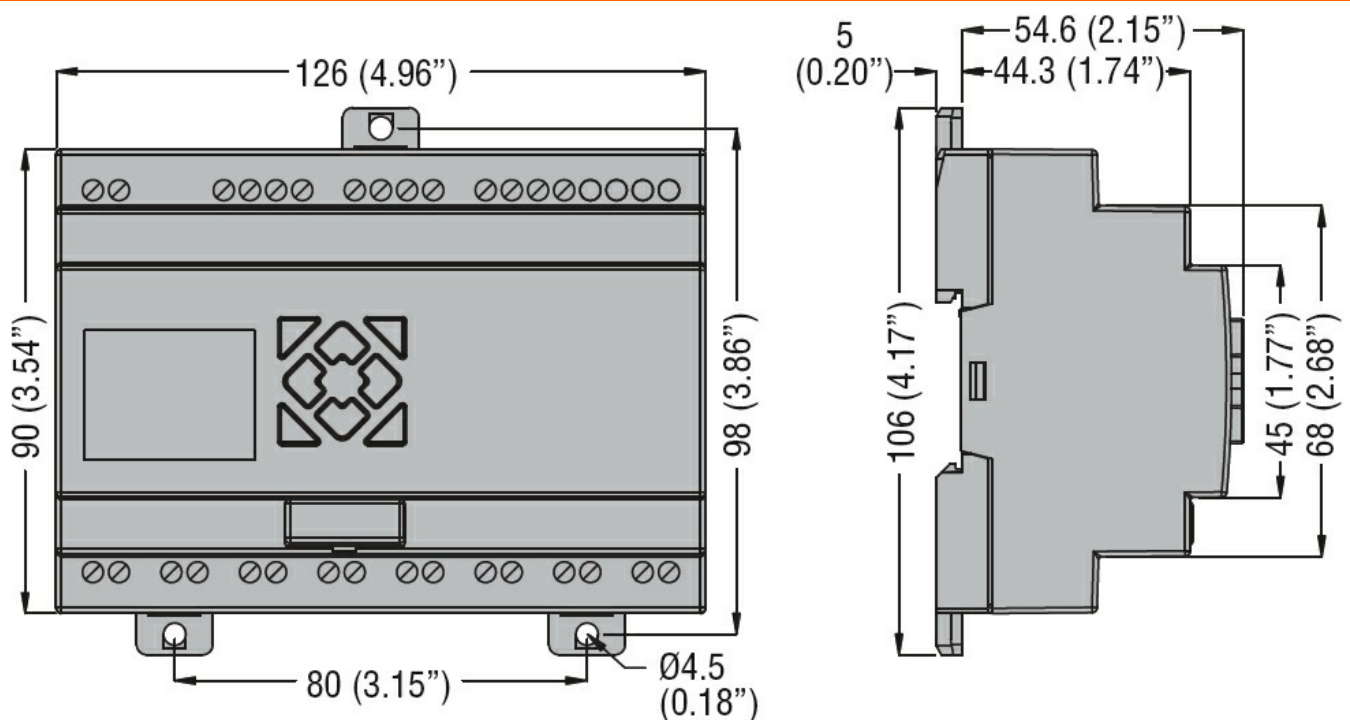
| | |
|----------|---|
| Mounting | 35mm DIN rail or screw fixing (M4x20mm) |
|----------|---|

| | |
|----------------------|------|
| Degree of protection | IP20 |
|----------------------|------|

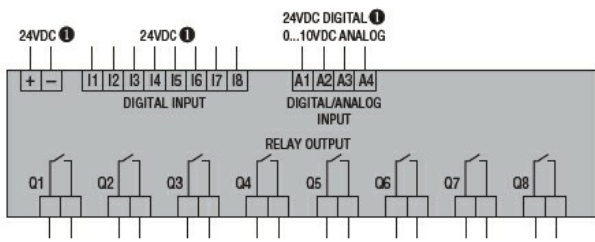
| | | |
|------------------------|----|------------------|
| Dimensions (W x H x D) | mm | 126 x 106 x 59.6 |
|------------------------|----|------------------|

| | | |
|--------|---|-----|
| Weight | g | 360 |
|--------|---|-----|

Dimensions



Wiring diagrams



❶ 12VDC for LRD20R D012.

Certifications and compliance

Compliance

CSA C22.2 n° 142

IEC/EN 61131-2

UL508

Certificates

cULus

EAC

ETIM classification

ETIM 8.0

EC001417 -
Logic module