



Rope-pull lever without reset button - EN 50047
RS31310

Product designation

Product type designation

General characteristics

Material

Housing

Polymer thermoplastic

Contact characteristics

Type of contact			2NO Slow action
Thermal current I _{th}		A	10
Rated insulation voltage U _i		V	250
Short-circuit protection with fuse		Class/A	10 gG/SC QUICK FUSE
Switching speed	min	m/s	0.5
	max	m/s	1.5
IEC Conventional free air thermal current I _{th}		A	10
Resistance per pole (average value)		mΩ	<10

Mechanical features

Operating head fixing			Screwed	
Operating torque		N	25	
		lb	5.6	
Tightening torque (Max)	Switch fixing	Nm	2.5	
		lbin	22.1	
	Contact terminals	Nm	0.8	
		lbin	7	
Body lid screw fixing	Nm	0.8		
	lbin	7		
Conductor section	AWG/Kcmil	min	16	
		max	14	
	IEC	min	mm ²	1 or 2
		max	mm ²	2.5
Cable connection			Self-releasing screw terminal	
Cable entry			PG11	
Weight		g	90	

Operations

Mechanical life	cycles	>10000000
Mechanical operation	cycles/h	3600

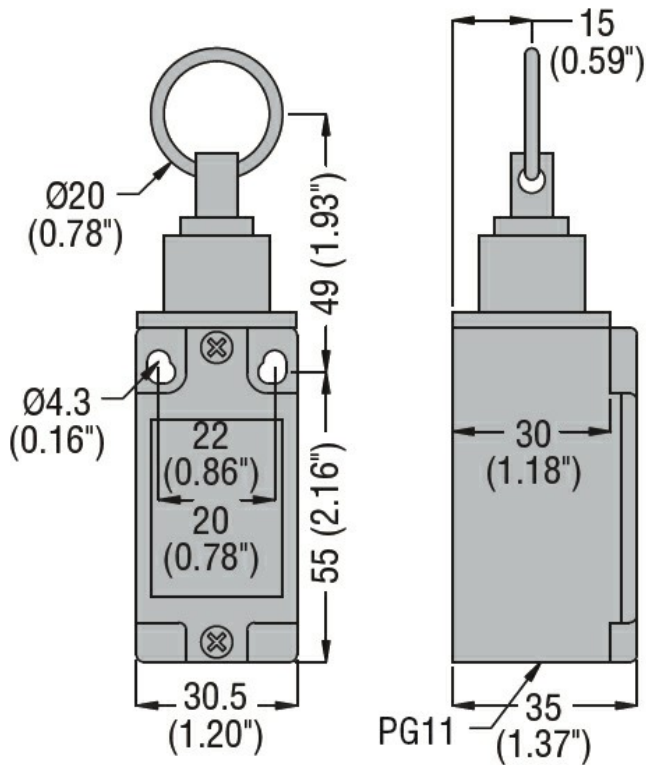
Ambient conditions

Temperature	Operating temperature	min	°C	-25
		max	°C	+70
	Storage temperature	min	°C	-40
		max	°C	+70

Resistance & Protection

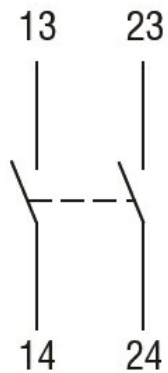
IP degree	Body housing	IP65
Pollution degree		3

Dimensions



Wiring diagrams

Slow action



1NO + 1NC

Certifications and compliance

Compliance

CSA C22.2 n° 14.

EN 50041

EN 50047

EN 81-1

IEC/EN 60204-1

IEC/EN 60947-1

IEC/EN 60947-5-1

UL508

Certificates

cULus

EAC

ETIM classification

ETIM 8.0

EC000030 - End switch