



Rope-pull lever without reset button - EN 50047
RS11310

Product designation

Product type designation

General characteristics

Material

Housing

Polymer thermoplastic

Contact characteristics

Type of contact

1NO+1NC Snap action

Thermal current I_{th}

A 10

Rated insulation voltage U_i

V 250

Short-circuit protection with fuse

Class/A 10 gG/SC QUICK FUSE

Switching speed

min	m/s	0.5
max	m/s	1.5

IEC Conventional free air thermal current I_{th}

A 10

Resistance per pole (average value)

mΩ <10

Mechanical features

Operating head fixing

Screwed

Operating torque

N	25
lb	5.6

Tightening torque (Max)

Switch fixing

Nm	2.5
lbin	22.1

Contact terminals

Nm	0.8
lbin	7

Body lid screw fixing

Nm	0.8
lbin	7

Conductor section

AWG/Kcmil

min	16
max	14

IEC

min	mm ²	1 or 2
max	mm ²	2.5

Cable connection

Self-releasing screw terminal

Cable entry

PG11

Weight	g	90
--------	---	----

Operations

Mechanical life	cycles	>10000000
-----------------	--------	-----------

Mechanical operation	cycles/h	3600
----------------------	----------	------

Ambient conditions

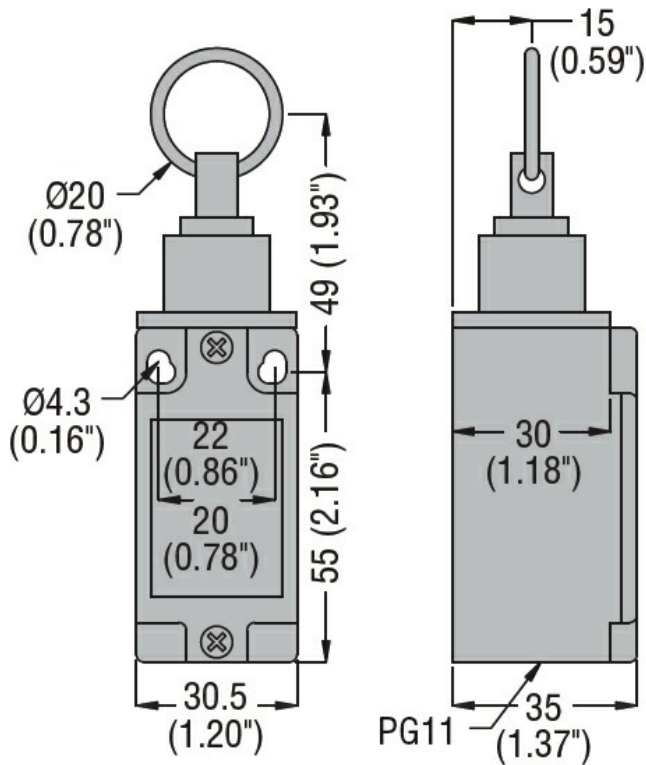
Temperature	Operating temperature	min	°C	-25
		max	°C	+70
	Storage temperature	min	°C	-40
		max	°C	+70

Resistance & Protection

IP degree	Body housing	IP65
-----------	--------------	------

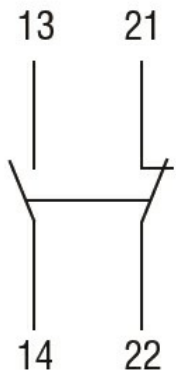
Pollution degree	3
------------------	---

Dimensions



Wiring diagrams

Snap action



1NO + 1NC

Certifications and compliance

Compliance

CSA C22.2 n° 14.

EN 50041

EN 50047

EN 81-1

IEC/EN 60204-1

IEC/EN 60947-1

IEC/EN 60947-5-1

UL508

Certificates

cULus

EAC

ETIM classification

ETIM 8.0

EC000030 - End switch