



Rope-pull lever
without reset
button
PLNU1ATW

Product designation

Product type designation

General characteristics

Material

Housing

Aluminium-zinc
alloy

Contact characteristics

| | | |
|---|---------|------------------------|
| Type of contact | | 1NO+1NC |
| Thermal current I _{th} | A | 10 |
| Rated insulation voltage U _i | V | 400 |
| Short-circuit protection with fuse | Class/A | 10 gG/SC QUICK FUSE |
| IEC Conventional free air thermal current I _{th} | A | 10 |
| Resistance per pole (average value) | mΩ | <10 |

Mechanical features

| | | |
|-------------------------|------------|-------------|
| Operating head fixing | | Fixed |
| Operating torque | N lb | 10 2.2 |
| Tightening torque (Max) | | |
| Switch fixing | Nm lbin | 2.5 22.1 |

Conductor section

AWG/Kcmil

max

14

IEC

max

mm²

2.5

Cable connection

Self-releasing
screw terminal

Cable entry

PG11 with cable
gland

Weight

g

240

Operations

| | | |
|----------------------|----------|-----------|
| Mechanical life | cycles | >10000000 |
| Mechanical operation | cycles/h | 3600 |

Ambient conditions

Temperature

Operating temperature

min

°C

-25

max

°C

+70

Storage temperature

min

°C

-40

max

°C

+70

Resistance & Protection

IP degree

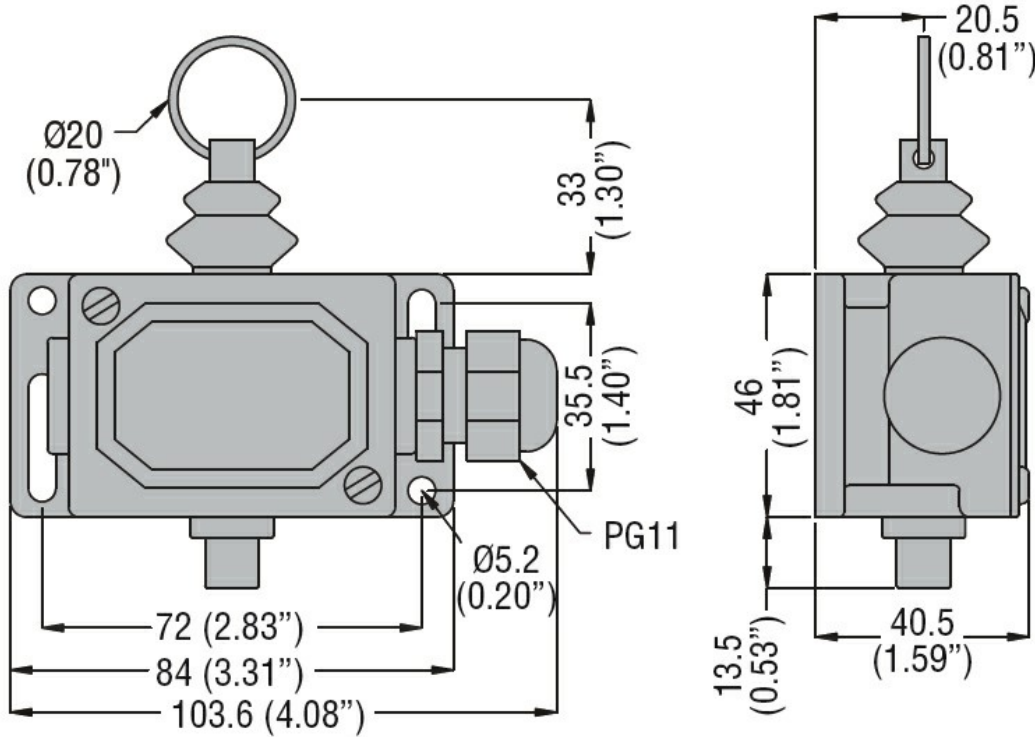
Body housing

IP65

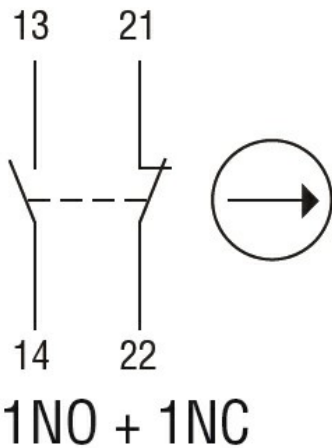
Pollution degree

3

Dimensions



Wiring diagrams



Certifications and compliance

Compliance

EN 81-1.

IEC/EN 60947-1

IEC/EN 60947-5-1

Certificates

EAC

ETIM classification

ETIM 8.0

EC000030 - End switch