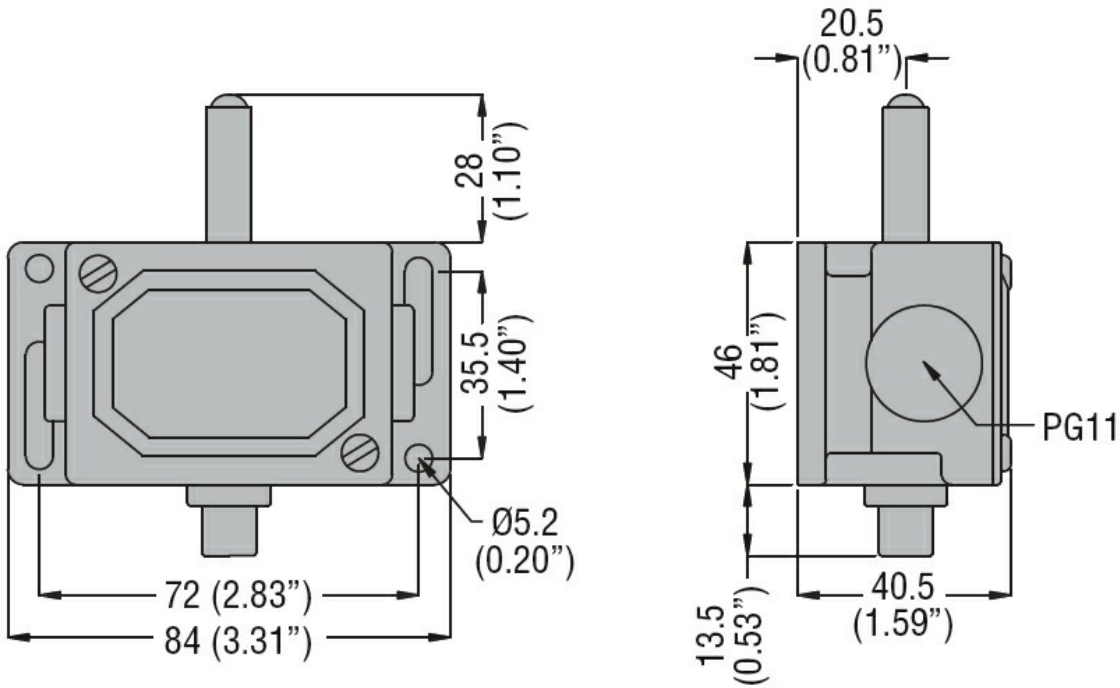
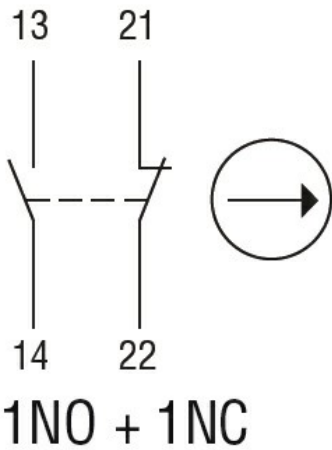




Product designation				Top push rod plunger
Product type designation				PLN...A
<b>General characteristics</b>				
Material	Housing		Aluminium-zinc alloy	
<b>Contact characteristics</b>				
Type of contact			1NO+1NC	
Thermal current I <sub>th</sub>	A	10		
Rated insulation voltage U <sub>i</sub>	V	400		
Short-circuit protection with fuse	Class/A	10 gG/SC QUICK FUSE		
IEC Conventional free air thermal current I <sub>th</sub>	A	10		
Resistance per pole (average value)	mΩ	<10		
<b>Mechanical features</b>				
Operating head fixing				Fixed
Tightening torque (Max)	Switch fixing		Nm	2.5
			lbin	22.1
Conductor section	AWG/Kcmil		max	14
	IEC		max	mm <sup>2</sup> 2.5
Cable connection				Screw terminal with clamp
Cable entry				PG11
Weight	g			240
<b>Operations</b>				
Mechanical life			cycles	>10000000
Mechanical operation			cycles/h	3600
<b>Ambient conditions</b>				
Temperature	Operating temperature		min °C	-25
			max °C	+70
	Storage temperature		min °C	-40
			max °C	+70
<b>Resistance &amp; Protection</b>				
IP degree	Body housing		IP40	
<b>Dimensions</b>				



**Wiring diagrams**



**Certifications and compliance**

**Compliance**

EN 81-1.

IEC/EN 60947-1

IEC/EN 60947-5-1

**Certificates**

EAC

**ETIM classification**

ETIM 8.0

EC000030 - End switch