



Top push rod plunger
PLN...A

Product designation

Product type designation

General characteristics

Material

Housing Aluminium-zinc alloy

Contact characteristics

Type of contact		2NO
Thermal current Ith	A	10
Rated insulation voltage Ui	V	400
Short-circuit protection with fuse	Class/A	10 gG/SC QUICK FUSE
IEC Conventional free air thermal current Ith	A	10
Resistance per pole (average value)	mΩ	<10

Mechanical features

Operating head fixing		Fixed
Tightening torque (Max) Switch fixing	Nm	2.5
	lbin	22.1

Conductor section

AWG/Kcmil	max	14
	IEC	
	max	mm ² 2.5

Cable connection

Screw terminal with clamp

Cable entry

PG11

Weight

g 240

Operations

Mechanical life	cycles	>10000000
Mechanical operation	cycles/h	3600

Ambient conditions

Temperature

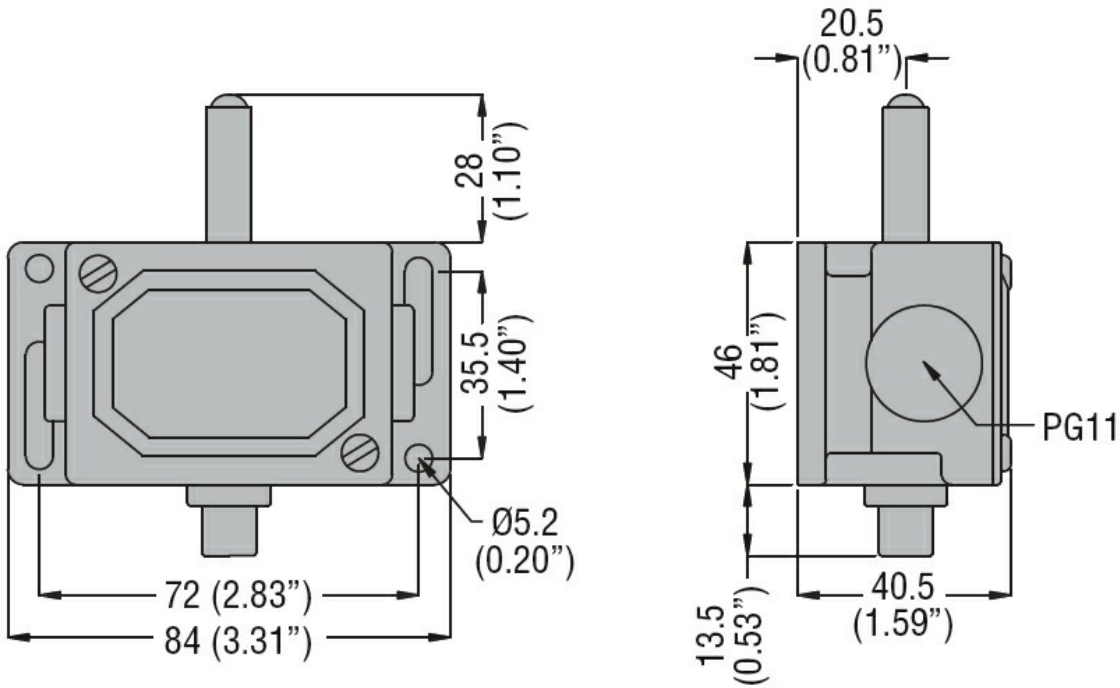
Operating temperature	min	°C	-25
	max	°C	+70
Storage temperature	min	°C	-40
	max	°C	+70

Resistance & Protection

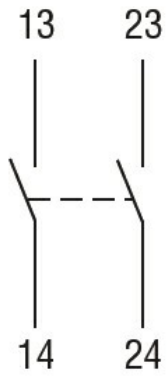
IP degree

Body housing IP40

Dimensions



Wiring diagrams



2NO

Certifications and compliance

Compliance

- EN 81-1.
- IEC/EN 60947-1
- IEC/EN 60947-5-1

Certificates

EAC

ETIM classification

ETIM 8.0

EC000030 - End switch